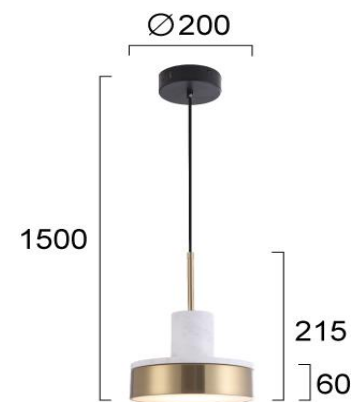




### Product Datasheet

<b>Code</b>	4295200
<b>Description</b>	Suspended Light White Lithos
<b>Family</b>	LITHOS
<b>Type</b>	PENDANT
<b>Type of Lamp</b>	LED module
<b>Watt</b>	9W
<b>Volt</b>	220-240 VAC
<b>Hertz</b>	50-60 Hz
<b>Class</b>	Class I
<b>IP</b>	IP20
<b>Environment</b>	Indoor
<b>Color</b>	WHITE / GOLD
<b>Material</b>	MARBLE / PLATED STEEL
<b>Length</b>	D:200
<b>Height</b>	H:1500
<b>Width</b>	
<b>Kelvin</b>	3000K
<b>Lumen</b>	822 Lm
<b>Beam Angle</b>	Beam Angle 90* / CRI 83 / UGR<19
<b>Dimmable</b>	Non-Dimmable



VIOKEF LIGHTING

Filiati Str, P.O Box28 Gr 19441 Koropi Greece

T: +302106626495 E: inquiry@viokef.com W: www.viokef.com

