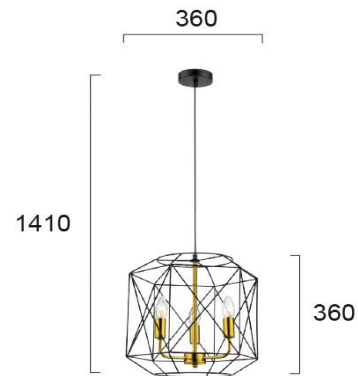




Product Datasheet

| | |
|---------------------|--------------------------------------|
| Code | 4252200 |
| Description | Pendant Light D:360 Argo |
| Family | ARGO |
| Type | PENDANT |
| Type of Lamp | E14 |
| Watt | 3 x MAX 40W |
| Volt | 220-240 VAC |
| Hertz | 50-60 Hz |
| Class | II |
| IP | IP20 |
| Environment | Indoor |
| Color | BLACK / GOLD |
| Material | ELECTROSTATIC PAINTED / PLATED STEEL |
| Length | L:360 |
| Height | H:1410 |
| Width | |



VIOKEF LIGHTING

Filiati Str, P.O Box28 Gr 19441 Koropi Greece

T: +302106626495 E: inquiry@viokef.com W: www.viokef.com

