



# MASTER LEDtube EM/ Mains

## MAS LEDtube 1500mm SO 20W 865 T8

The Philips MASTER LEDtube integrates a LED light source into a traditional fluorescent form factor. Its unique design creates a perfectly uniform visual appearance which cannot be distinguished from traditional fluorescent. This product is the ideal solution for up lighting in general lighting applications.

### Product data

General Information		Power (Rated) (Nom)	
Cap base	G13 [ Medium Bi-Pin Fluorescent]		20 W
Main application	Industrial	Lamp current (nom.)	81 mA
Nominal lifetime (nom.)	50000 h	Starting time (nom.)	0.5 s
Switching cycle	200000X	Warm-up time to 60% light (nom.)	instant full light s
B50L70	50000 h	Power factor (nom.)	0.9
		Voltage (Nom)	220-240 V
Light Technical		Temperature	
Colour Code	865 [ CCT of 6,500 K]	T ambient (max.)	45 °C
Beam Angle (Nom)	160 °	T ambient (min.)	-20 °C
Lamp Luminous Flux 25°C EL (Nom)	2000 lm	T storage (max.)	65 °C
Lamp Luminous Flux (Nom)	2000 lm	T storage (min.)	-40 °C
Rated beam angle	160 °	T-Case maximum (nom.)	50 °C
Colour Temperature, horizontal (Nom)	6500 K		
Colour consistency	<6	Controls and Dimming	
Colour Rendering Index,horiz (Nom)	83	Dimmable	no
LLMF at end of nominal lifetime (nom.)	70 %		
Operating and Electrical		Mechanical and Housing	
Input frequency	50 to 60 Hz	Product length	1500 mm

# MASTER LEDtube EM/Mains

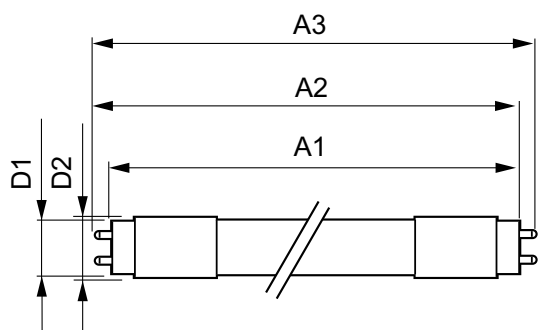
Approval and Application	
Energy efficiency label (EEL)	A+
Energy-saving product	Yes
Suitable for accent lighting	No
Approval marks	CE marking RoHS compliance KEMA Keur certificate
Energy Consumption kWh/1000 h	20 kWh
Product Data	
Full product code	871829173453600

Order product name	MAS LEDtube 1500mm SO 20W 865 T8
EAN/UPC – product	8718291734536
Order code	929000287702
Numerator – quantity per pack	1
Numerator – packs per outer box	10
Material no. (12NC)	929000287702
Net weight (piece)	0.450 kg

## Warnings and Safety

· ·

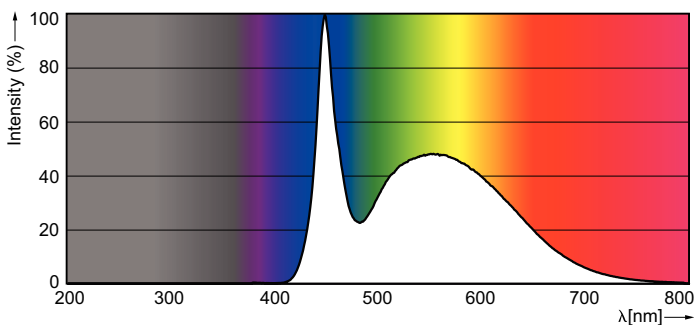
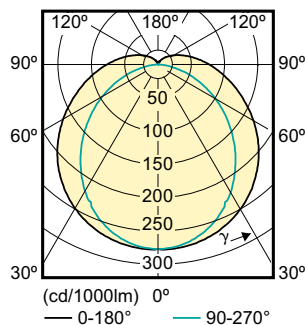
## Dimensional drawing



LEDtube VLE 1500mm 20W/865 T8 C

Product	D1	D2	A1	A2	A3
MAS LEDtube 1500mm SO 20W 865 T8	25.68 mm	28 mm	1500.0 mm	1507.1 mm	1514.2 mm

## Photometric data



## MASTER LEDtube EM/Mains

