

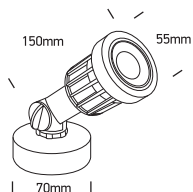
# INSTALLATION MANUAL

## 7070

**ecolight**

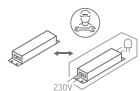


ADJUSTABLE



**one**  
LIGHT

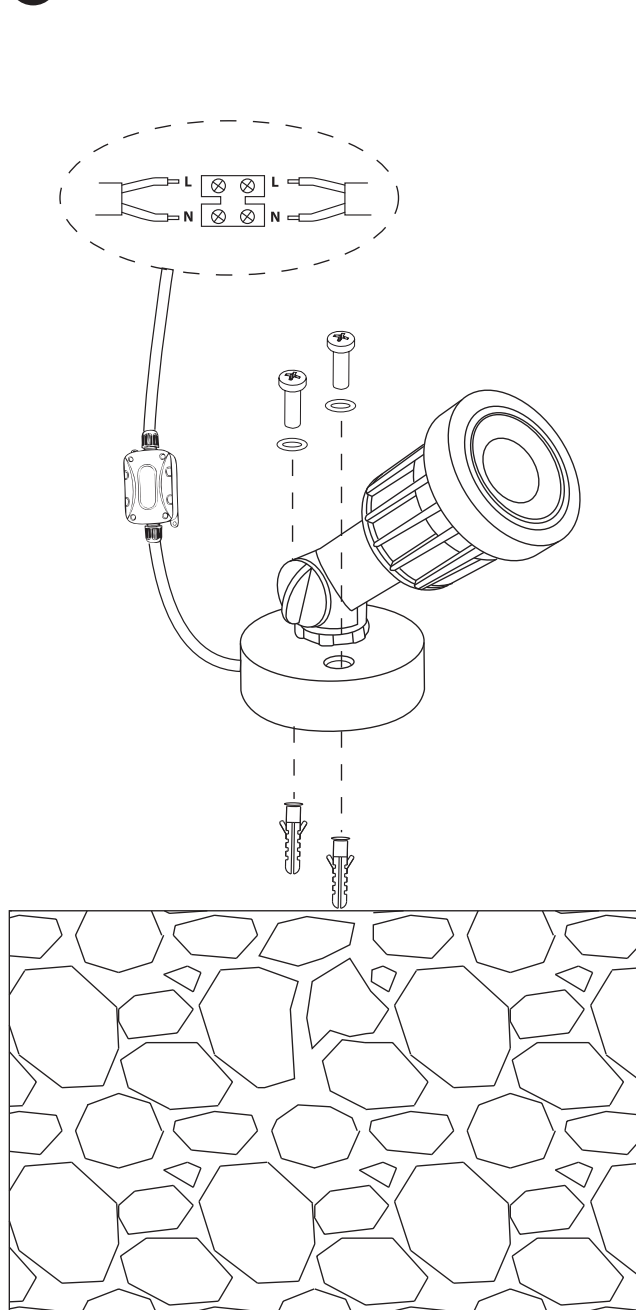
100-240V | 5W | IP65 | Plastic | Adjustable  
Complete with driver. Supplied with spike + base.



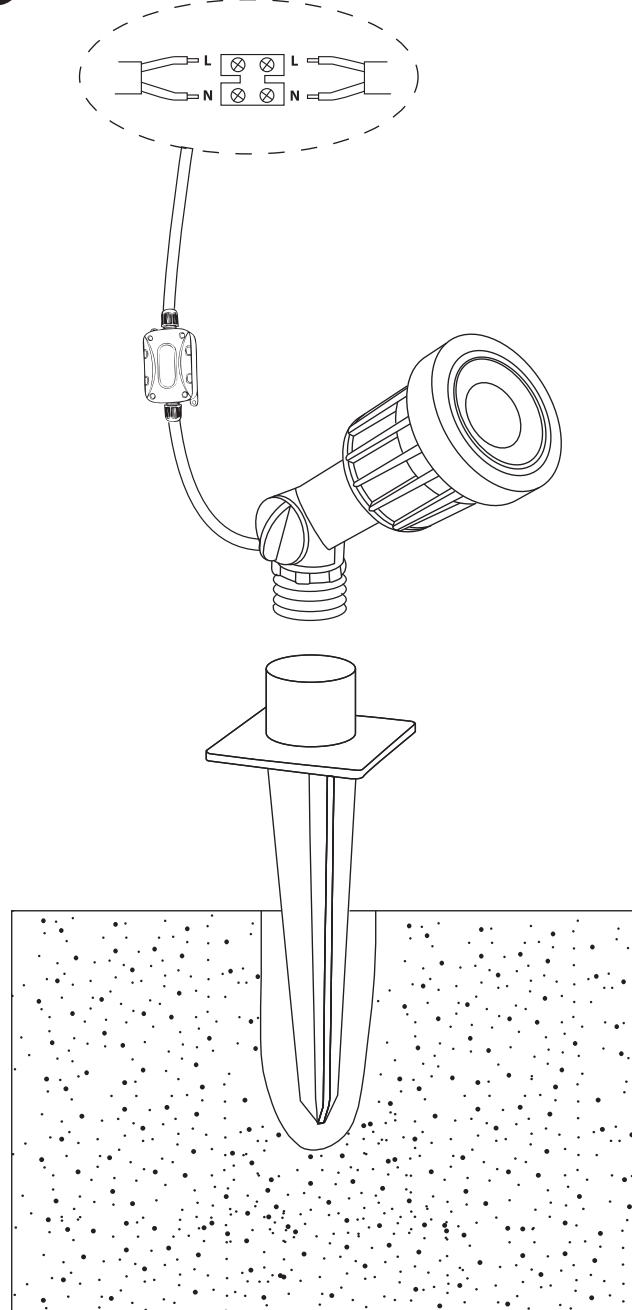
80  
CRI

200cm  
S

**A**



**B**



### Warnings:

1. Make sure that the product is installed properly before connecting to electricity.
2. Do not cover the fitting.
3. Maintenance and installation should only be carried out by a professional electrician.