

INSTALLATION MANUAL

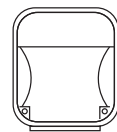
7056A

ecolight

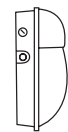


260mm

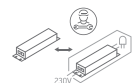
115mm



300mm

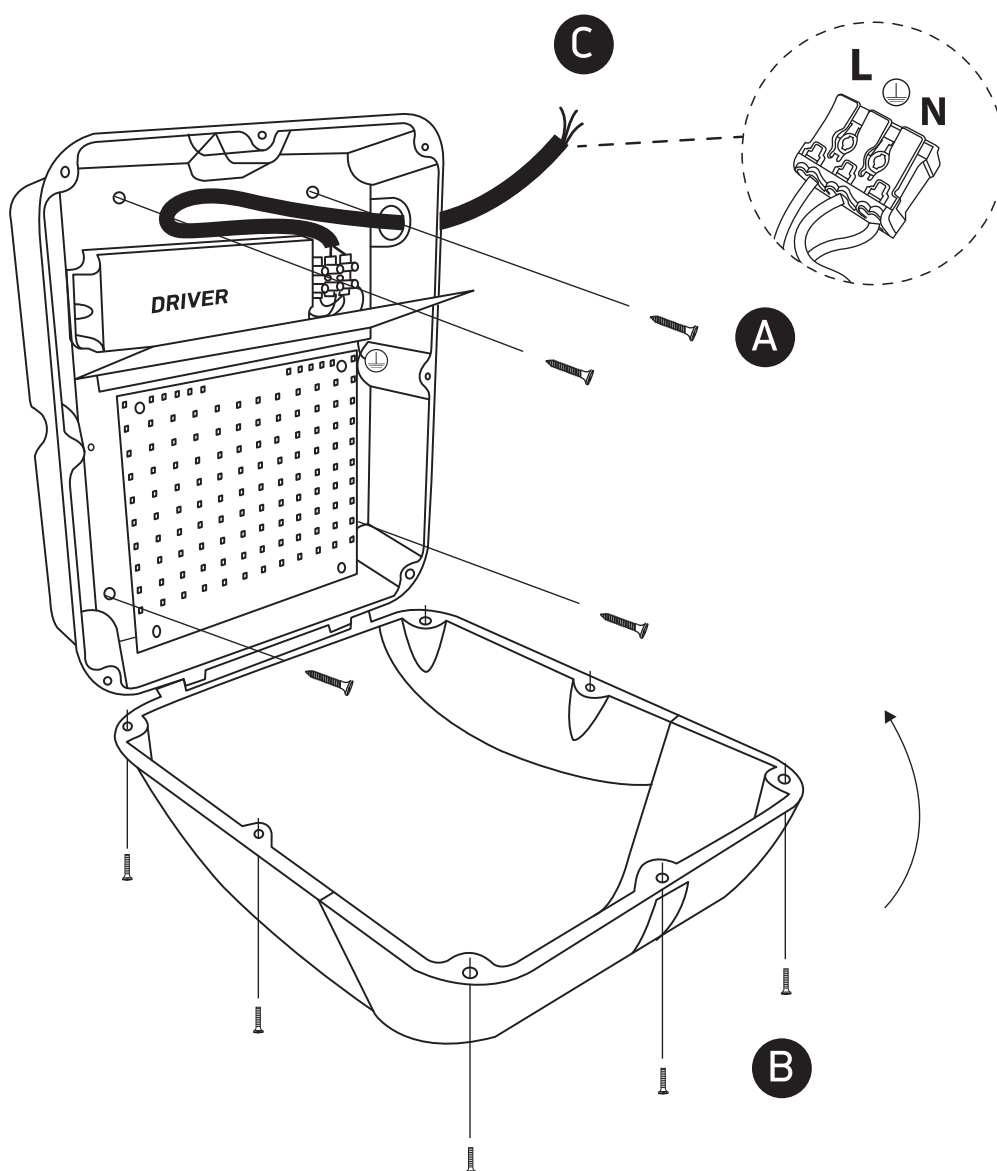


230V | SMD 2835 | 50W | IP65 | Die cast
Complete with 1200mA driver.



80 CRI

one
LIGHT



Warnings:

1. Make sure that the product is installed properly before connecting to electricity.
2. Do not cover the fitting.
3. Maintenance and installation should only be carried out by a professional electrician.