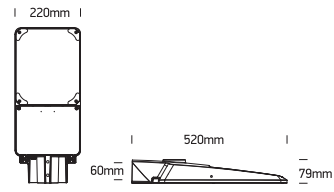
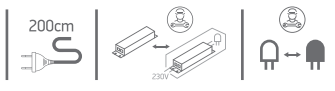


# INSTALLATION MANUAL

70116C

LED BUILT IN
IK<sup>09</sup>
80 CRI
CE EAC UK CA
RoHS COMPLIANT
RECYCLE
NO WASTE

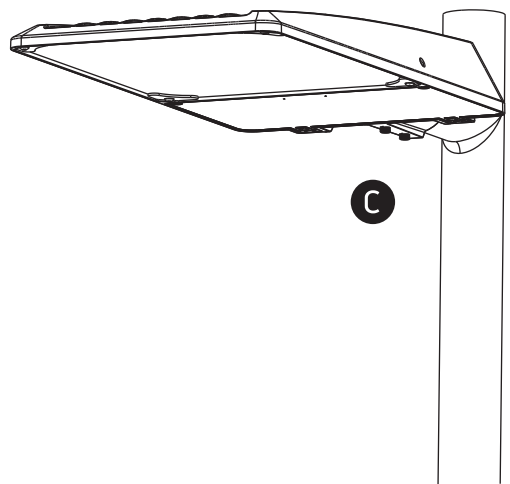
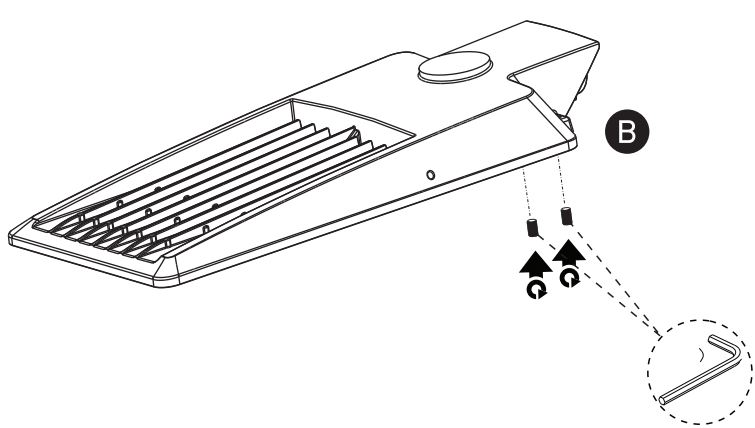
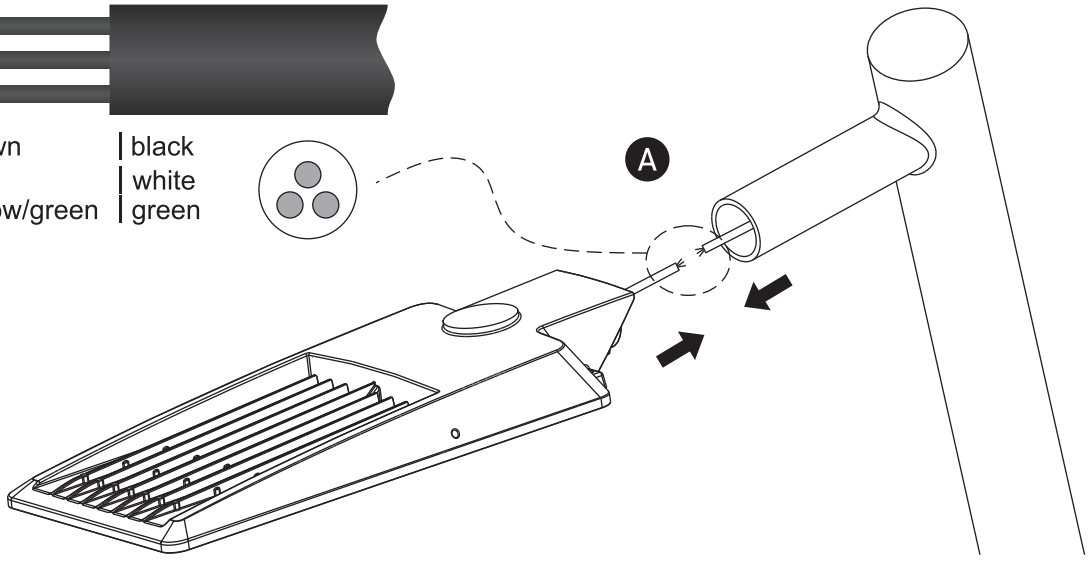
100-240V | 126xSMD 3030 | 120W | IP66 | Aluminium + glass  
 Complete with 1020mA driver.



L	—	—	—	—
N	—	—	—	—
⊕	—	—	—	—

L	brown	black
N	blue	white
⊕	yellow/green	green



**Warnings:**

1. Make sure that the product is installed properly before connecting to electricity.
2. Do not cover the fitting.
3. Maintenance and installation should only be carried out by a professional electrician.