

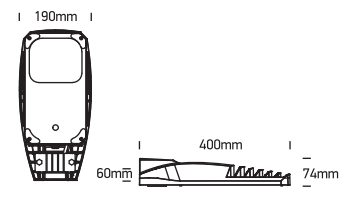
INSTALLATION MANUAL

70114

LED BUILT IN | | | **80 CRI** | **CE ENEC UK CA** | **RoHS COMPLIANT** | | |

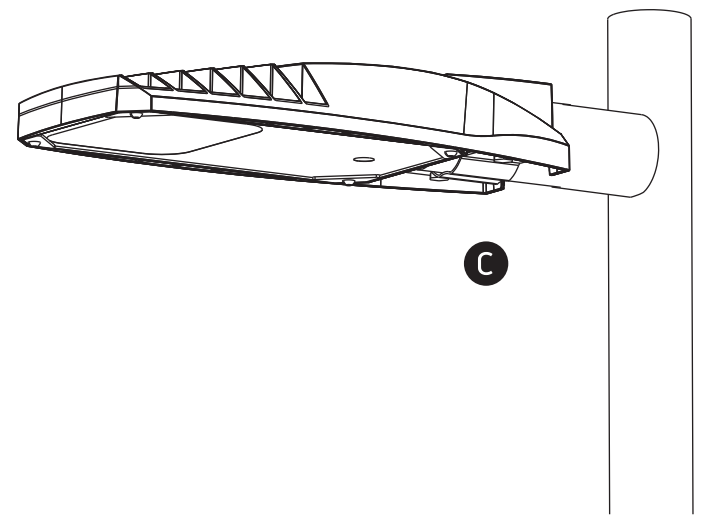
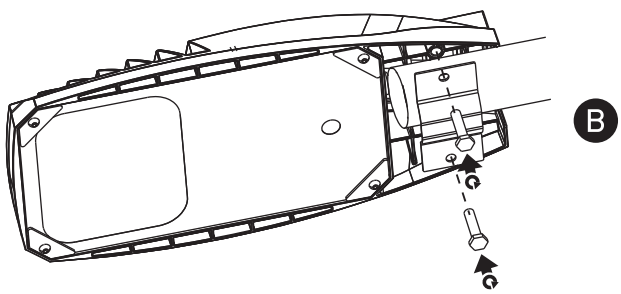
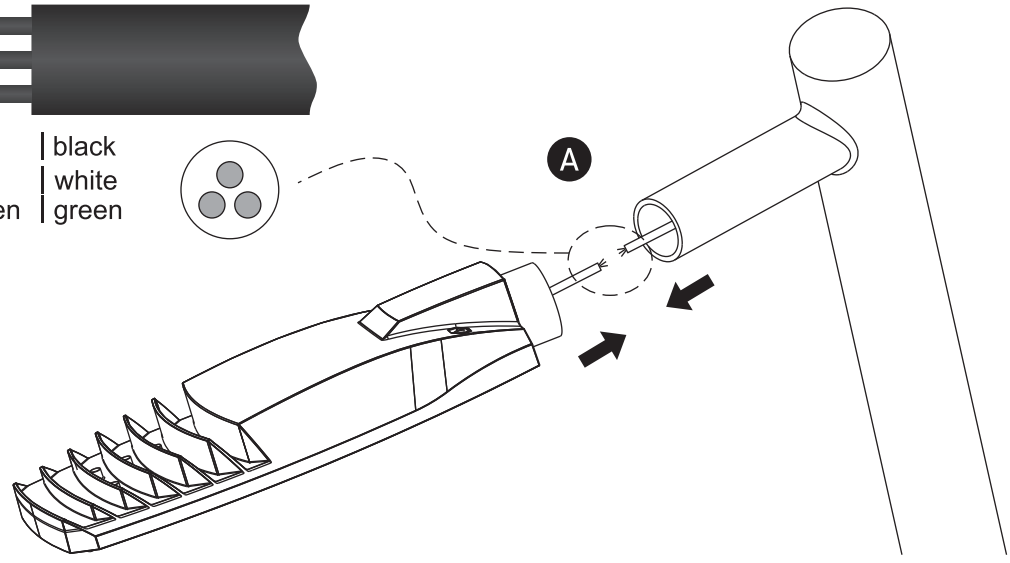
100-240V | 64xSMD 2835 | 50W | IP66 | Plastic
 Complete with 950mA driver.

200cm | 230V | LED DRIVER



L	—	—	—	—
N	—	—	—	—
⊕	—	—	—	—

L	brown	black
N	blue	white
⊕	yellow/green	green



Side up when installing



Warnings:

1. Make sure that the product is installed properly before connecting to electricity.
2. Do not cover the fitting.
3. Maintenance and installation should only be carried out by a professional electrician.