

INSTALLATION MANUAL

70080, 70090, 70100, 70101, 70102

ecolight

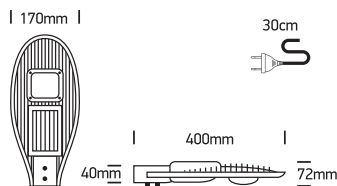


Complete with driver

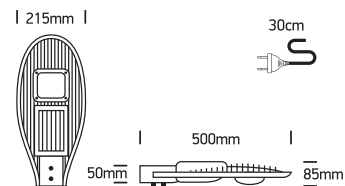
one
LIGHT

70080:
100-240V | 20W | IP65 | Die cast

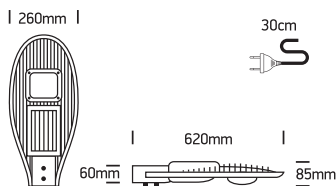
70090:
100-240V | 30W | IP65 | Die cast



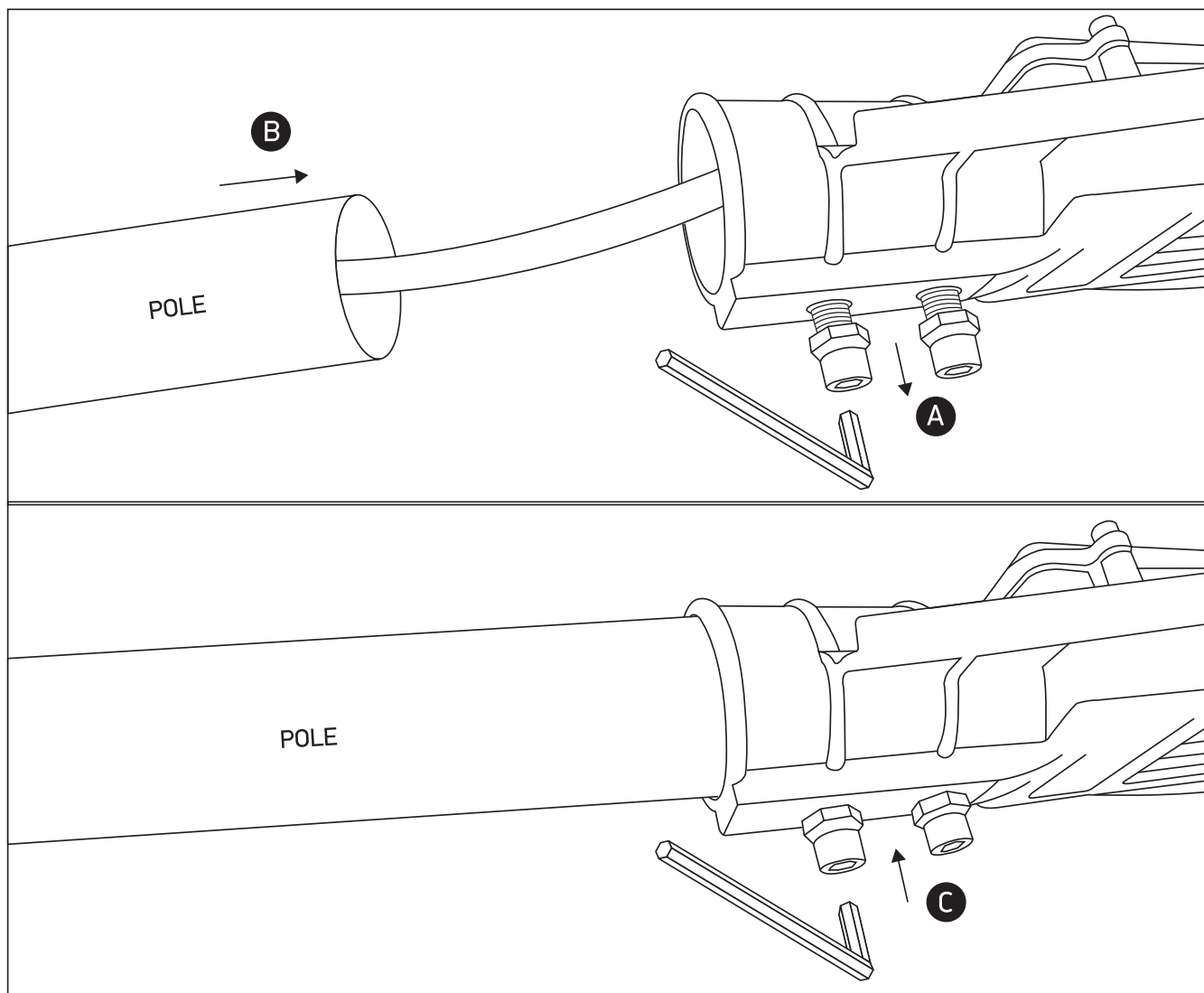
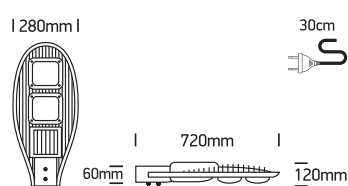
70100:
100-240V | 50W | IP65 | Die cast



70101:
100-240V | 80W | IP65 | Die cast



70102:
100-240V | 2x60W | IP65 | Die cast



Warnings:

1. Make sure that the product is installed properly before connecting to electricity.
2. Do not cover the fitting.
3. Maintenance and installation should only be carried out by a professional electrician.