

# INSTALLATION MANUAL

69044

ecoinground

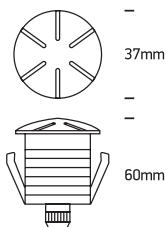
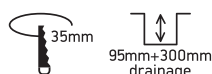


1W | 350mA | IP67 | Natural aluminium  
Requires 350mA driver.  
Supplied with box for concrete installation.

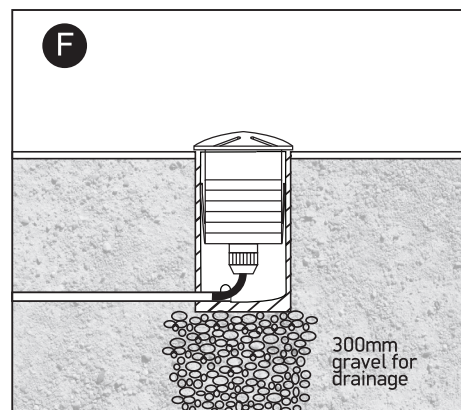
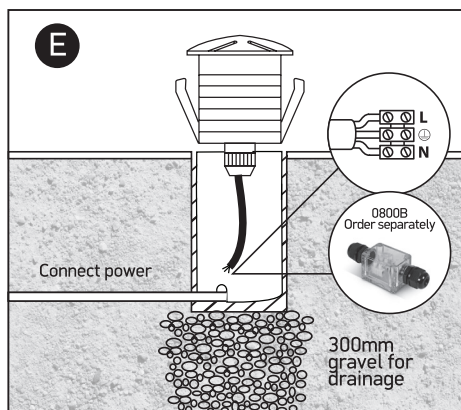
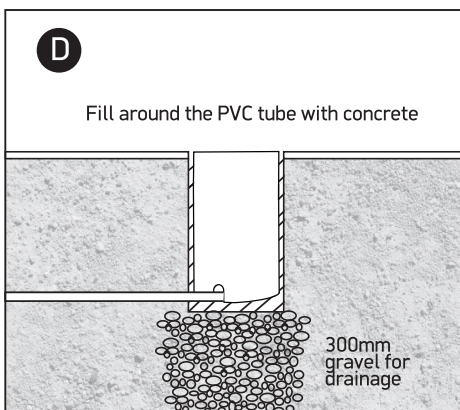
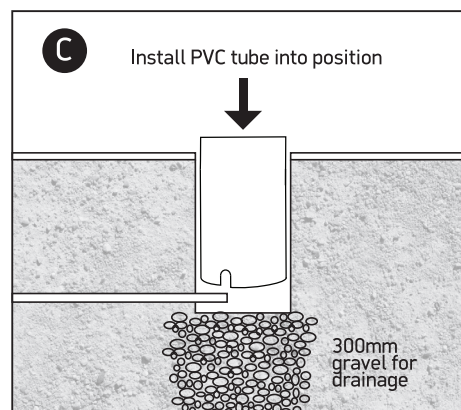
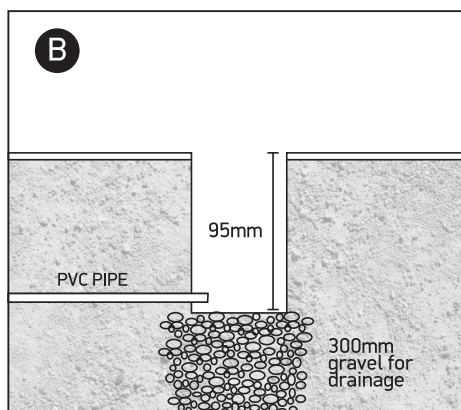
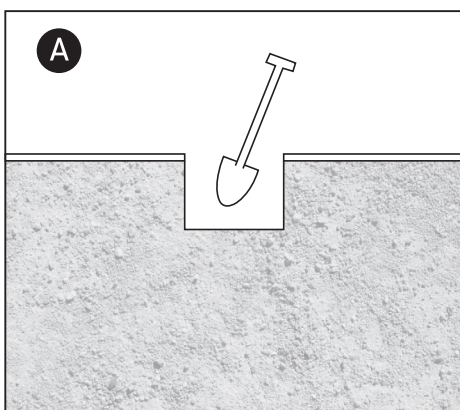
Decking Installation



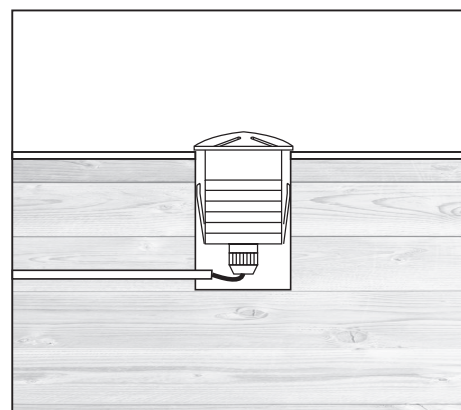
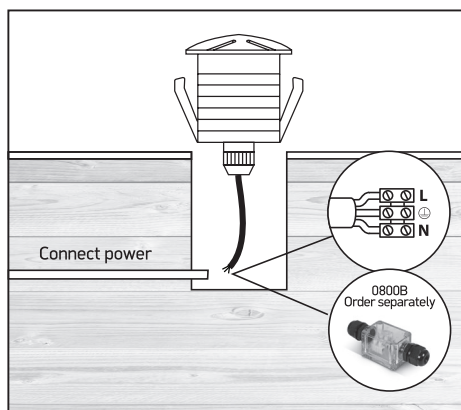
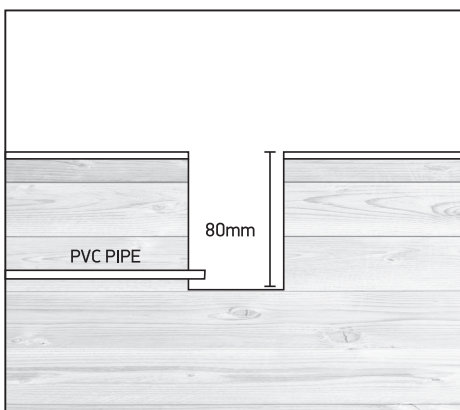
Concrete Installation



## CONCRETE INSTALLATION



## DECKING INSTALLATION



### Warnings:

1. Make sure that the product is installed properly before connecting to electricity.
2. Do not cover the fitting.
3. Maintenance and installation should only be carried out by a professional electrician.