

# INSTALLATION MANUAL

## 69015B

**ecoinground**

**LED  
BUILT IN**



3W | 24VDC | IP67 | Aluminium

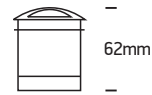
Requires 24V DC driver.



**90  
CRI**



56mm

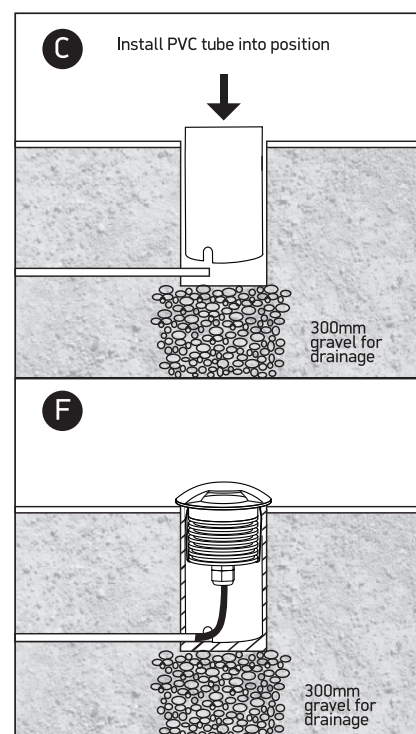
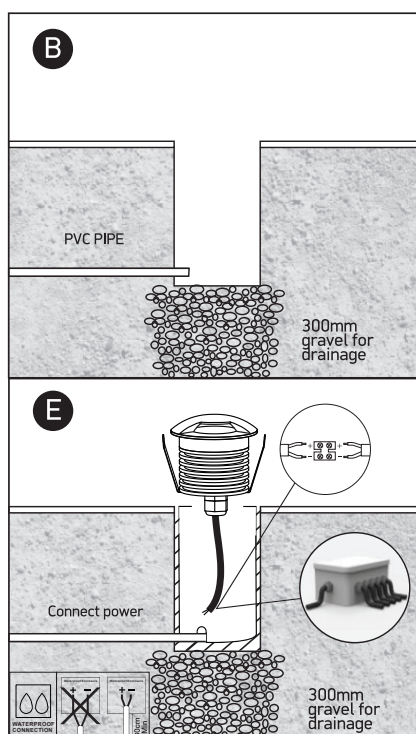
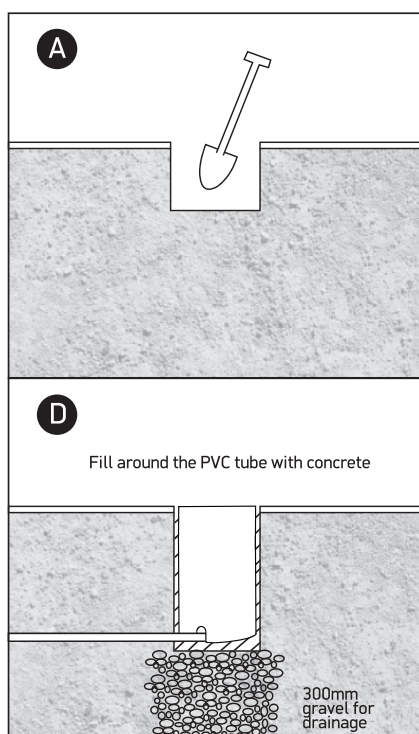


62mm

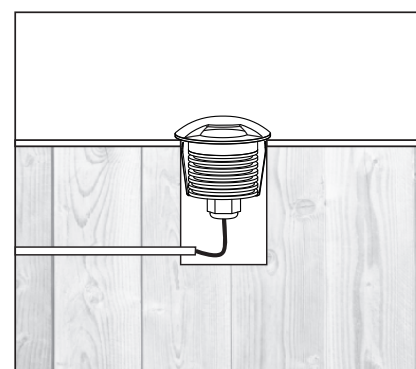
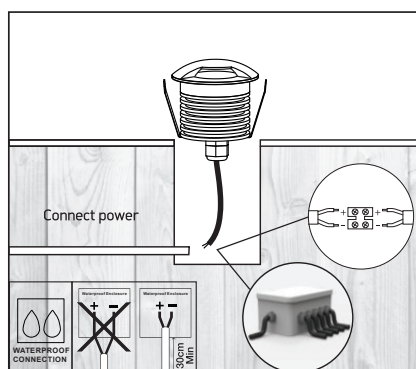
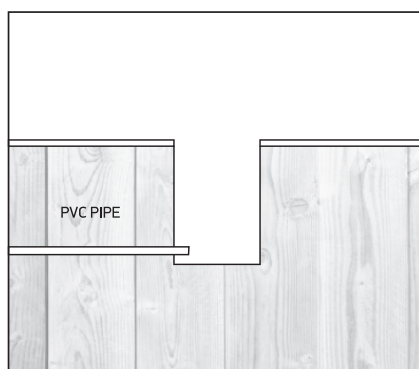
**one**  
LIGHT



### CONCRETE INSTALLATION



### DECKING INSTALLATION



#### Warnings:

1. Make sure that the product is installed properly before connecting to electricity.
2. Do not cover the fitting.
3. Maintenance and installation should only be carried out by a professional electrician.