

INSTALLATION MANUAL

69015A

ecoinground

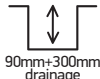
LED
BUILT IN



one
LIGHT

3W | 24VDC | IP67 | Aluminium

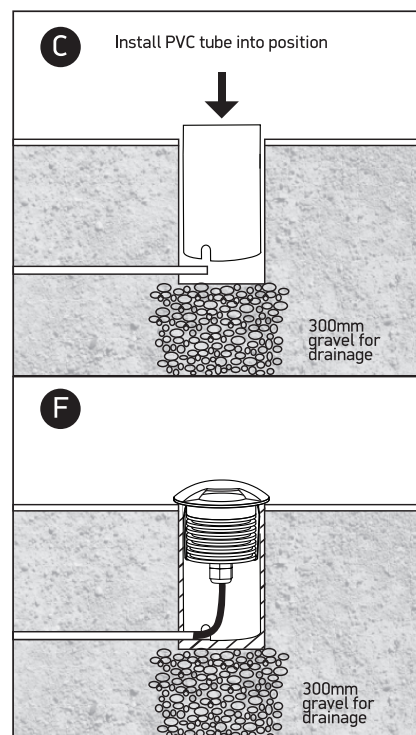
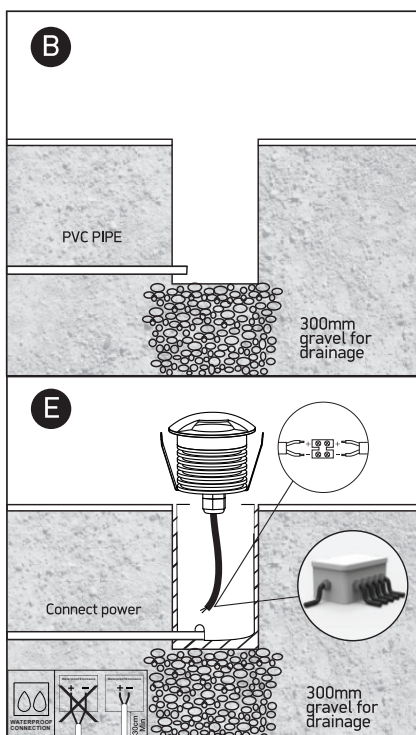
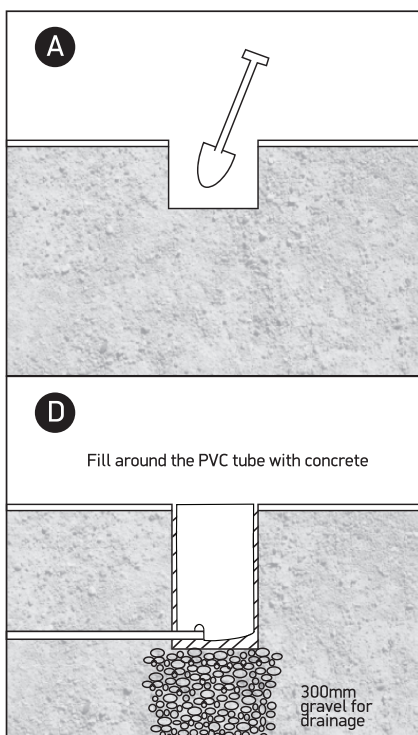
Requires 24V DC driver.



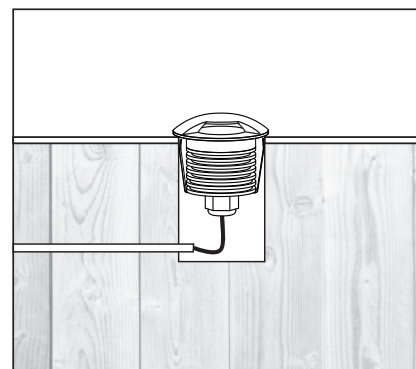
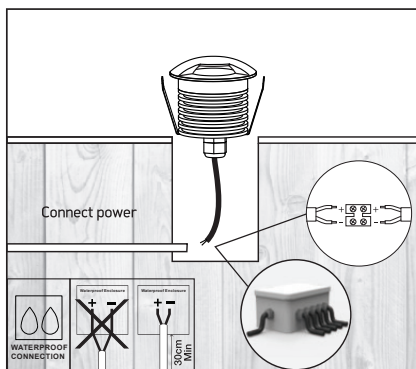
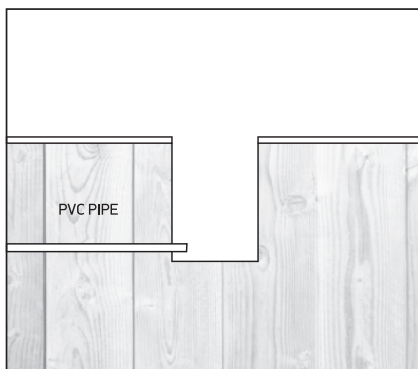
90
CRI



CONCRETE INSTALLATION



DECKING INSTALLATION



Warnings:

1. Make sure that the product is installed properly before connecting to electricity.
2. Do not cover the fitting.
3. Maintenance and installation should only be carried out by a professional electrician.