

# INSTALLATION MANUAL

## 69002A

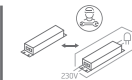
**ecoinground**



35mm

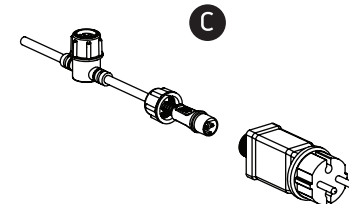
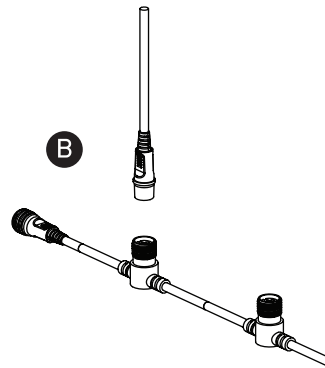
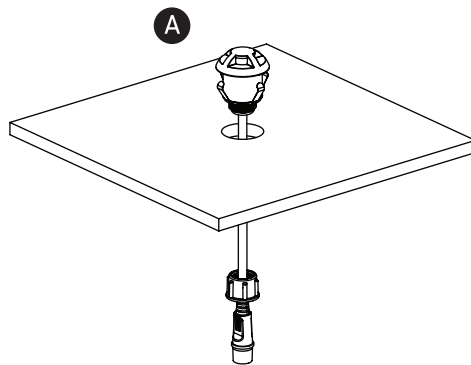
230V | SMD 2835 | 6x0,5W | IP67 | Stainless steel 316

Quick fix connectors & EU plug in driver.



40mm

**one**  
LIGHT



### Warnings:

1. Make sure that the product is installed properly before connecting to electricity.
2. Do not cover the fitting.
3. Maintenance and installation should only be carried out by a professional electrician.