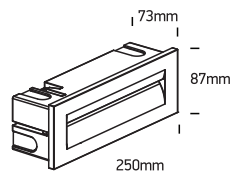
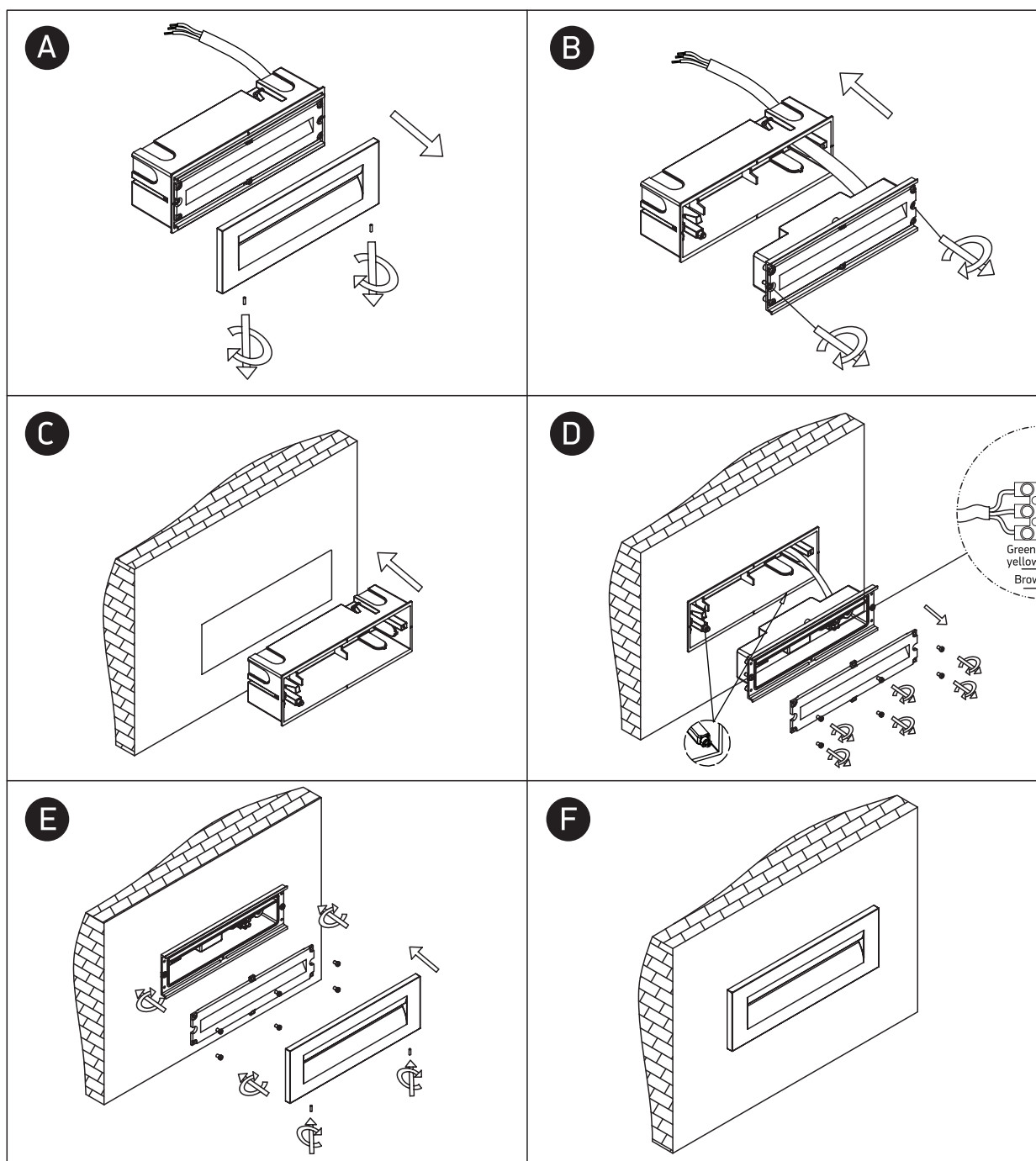


# INSTALLATION MANUAL

68066

**ecolight**
80  
CRI
**one**  
LIGHT

100-240V | SMD LED | 8,5W | IP65 | Die cast

 Complete with driver.  
 Supplied with box for  
 concrete installation.


## Warnings:

1. Make sure that the product is installed properly before connecting to electricity.
2. Do not cover the fitting.
3. Maintenance and installation should only be carried out by a professional electrician.