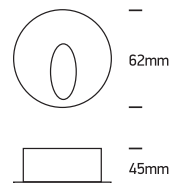


# INSTALLATION MANUAL

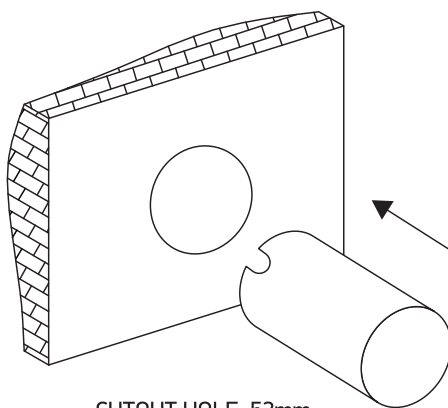
68030

**ecolight**


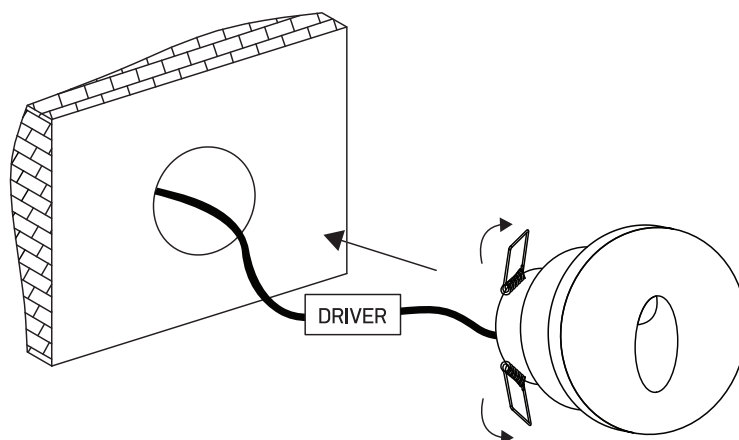
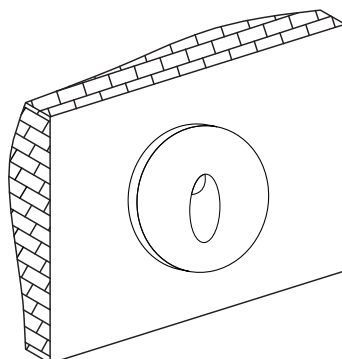
100-240V | 3W | IP54 | Recessed

 Complete with 700mA driver.  
 Supplied with box for concrete  
 installation.

**one**  
 LIGHT

**A**


CUTOUT HOLE: 52mm

**B**

**C**


## Warnings:

1. Make sure that the product is installed properly before connecting to electricity.
2. Do not cover the fitting.
3. Maintenance and installation should only be carried out by a professional electrician.