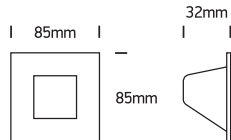
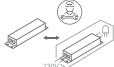


# INSTALLATION MANUAL

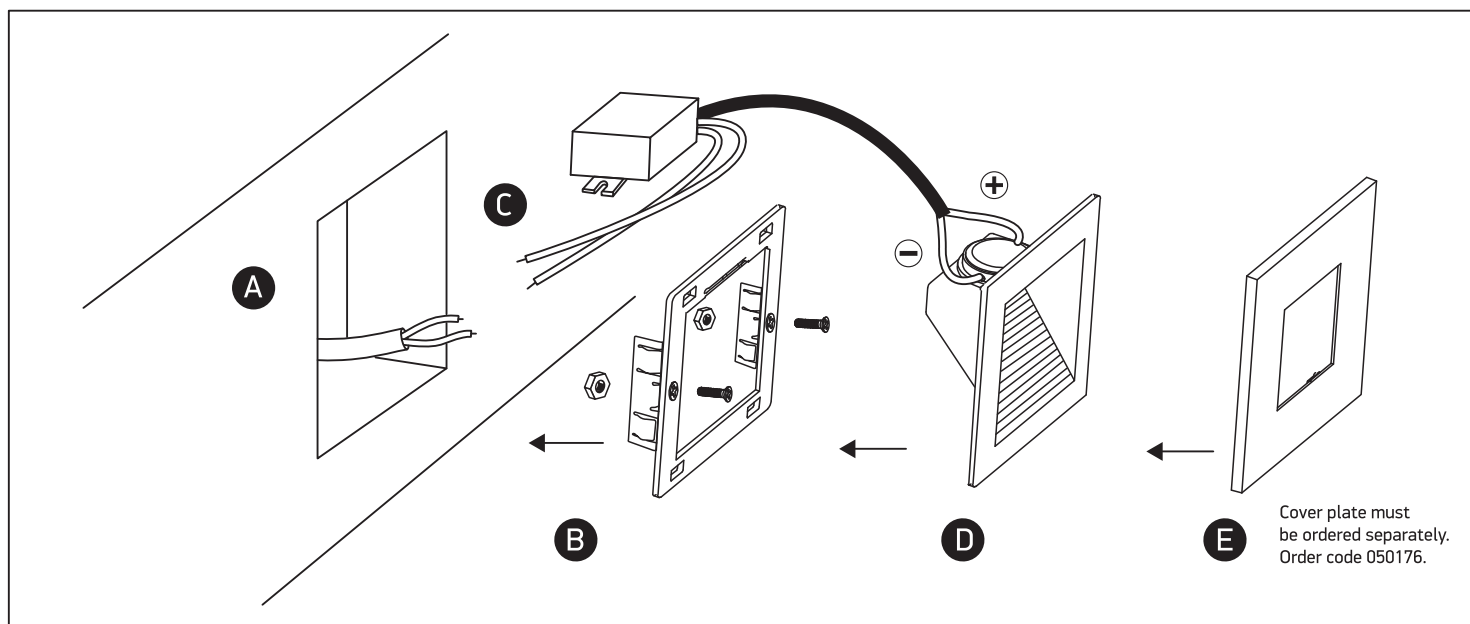
68006N

**ecolight**

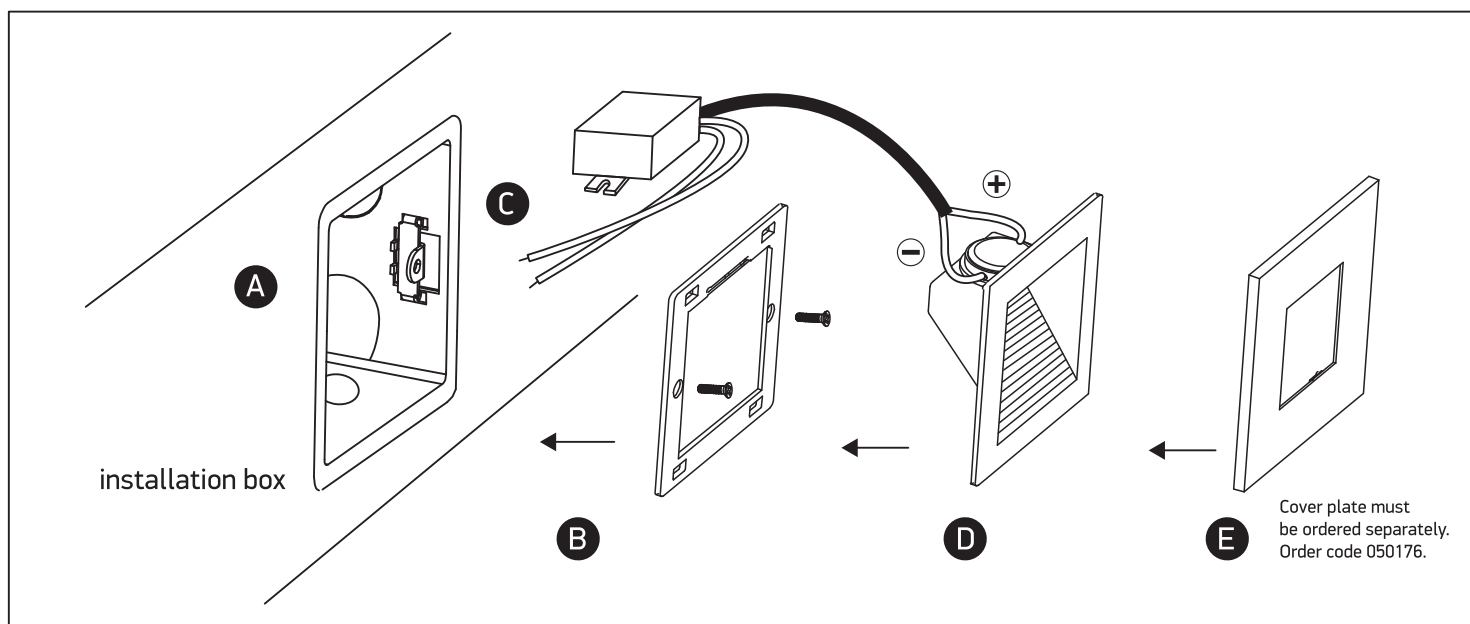

DARK LIGHT


 230V | SMD 3535 | 1W | IP44 | Die cast  
 Complete with 350mA driver.

**one**  
 LIGHT

## GYPSUM INSTALLATION



## USING BOX INSTALLATION



### Warnings:

1. Make sure that the product is installed properly before connecting to electricity.
2. Do not cover the fitting.
3. Maintenance and installation should only be carried out by a professional electrician.