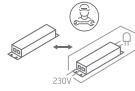


INSTALLATION MANUAL

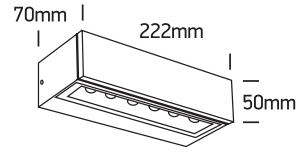
67526B1



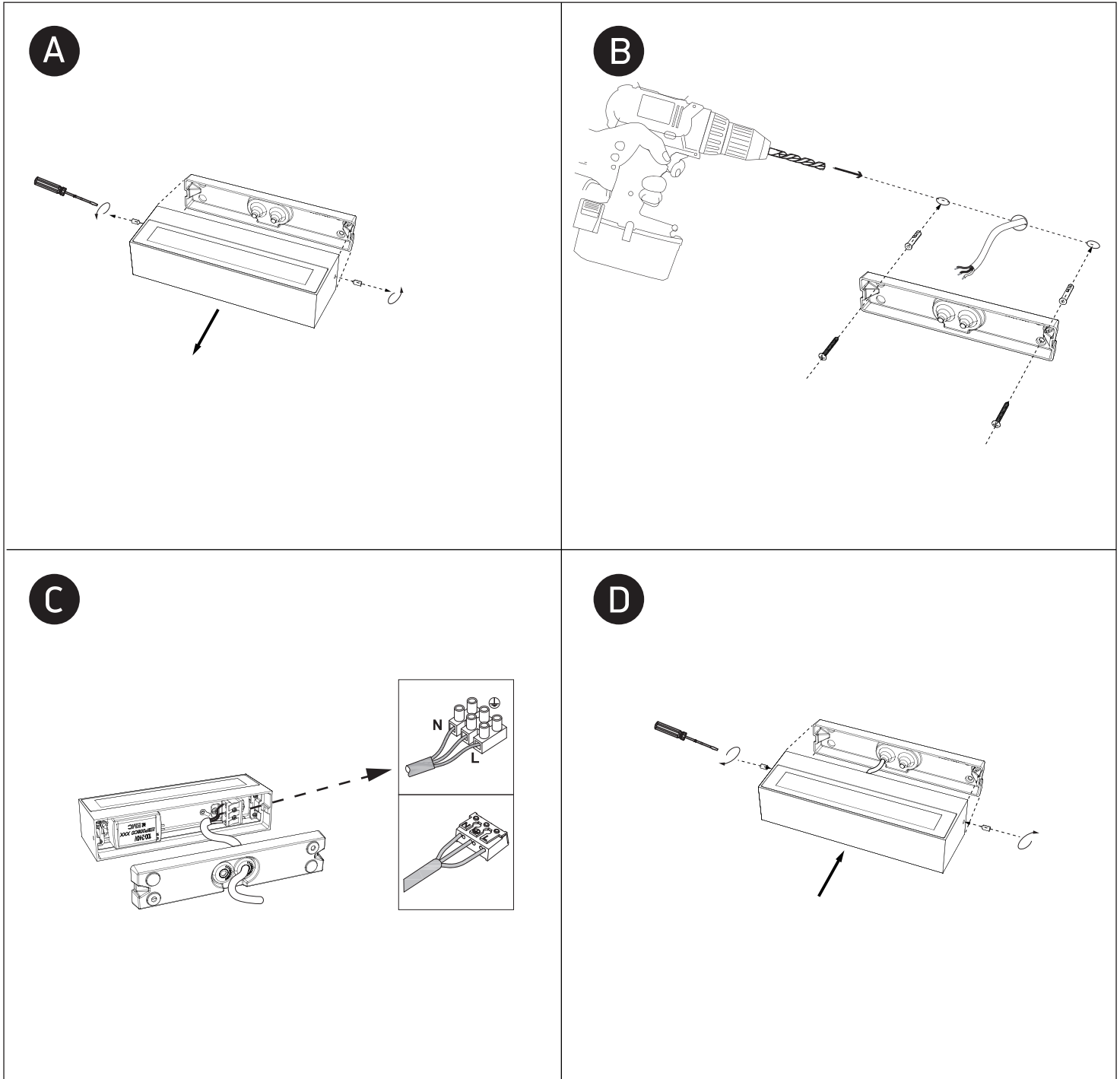
230V | SMD 3030 | 2x6W | IP65 | Die cast
Complete with 300mA driver.



80 CRI



one
LIGHT



Warnings:

1. Make sure that the product is installed properly before connecting to electricity.
2. Do not cover the fitting.
3. Maintenance and installation should only be carried out by a professional electrician.