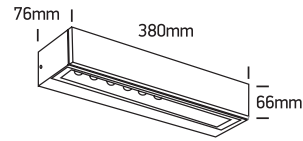


# INSTALLATION MANUAL

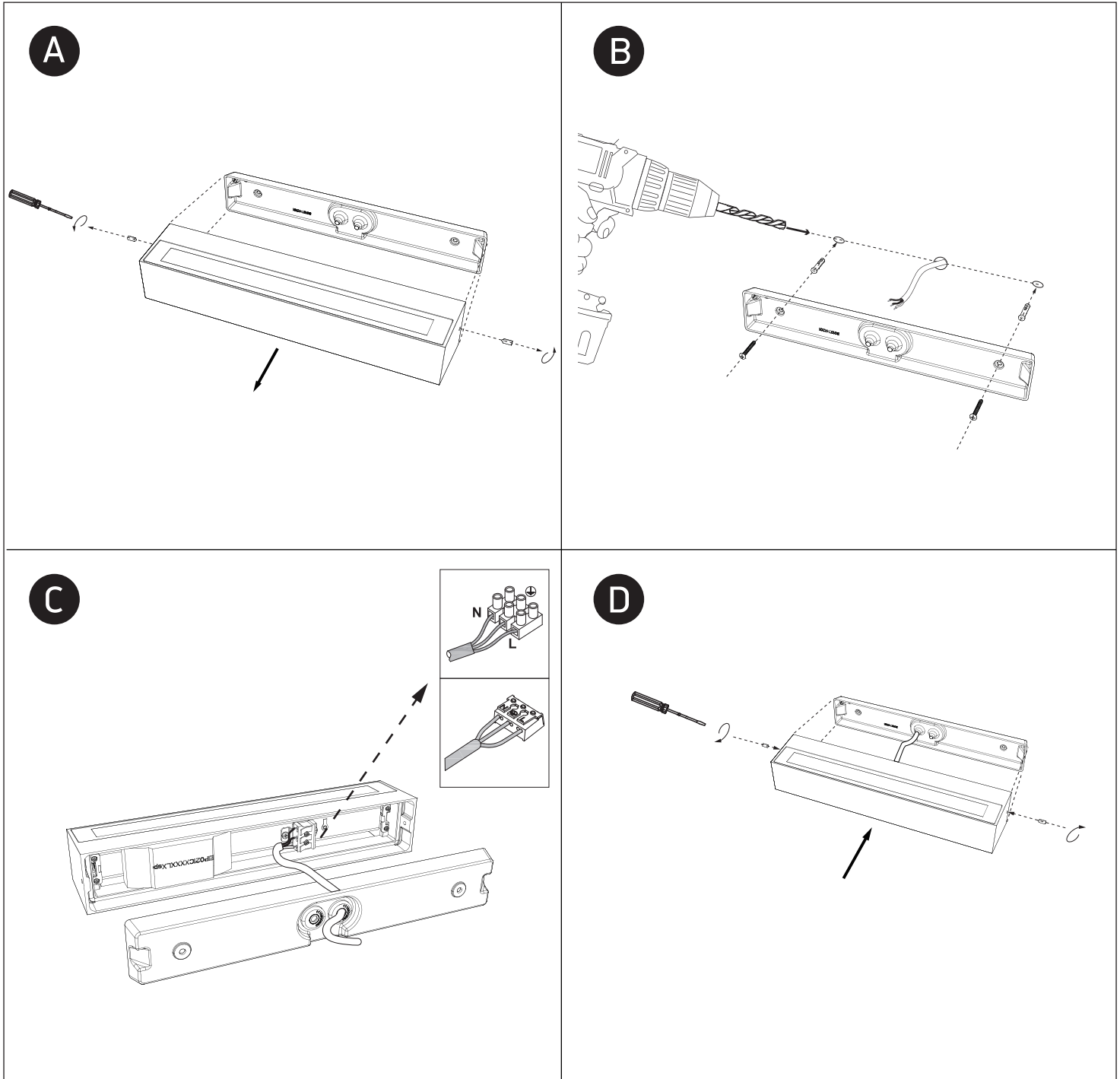
67526A2



230V | SMD 3030 | 9W | IP65 | Die cast  
Complete with 500mA driver.



**one**  
LIGHT



## Warnings:

1. Make sure that the product is installed properly before connecting to electricity.
2. Do not cover the fitting.
3. Maintenance and installation should only be carried out by a professional electrician.