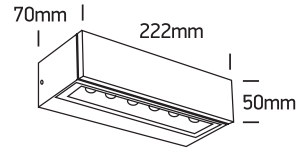


INSTALLATION MANUAL

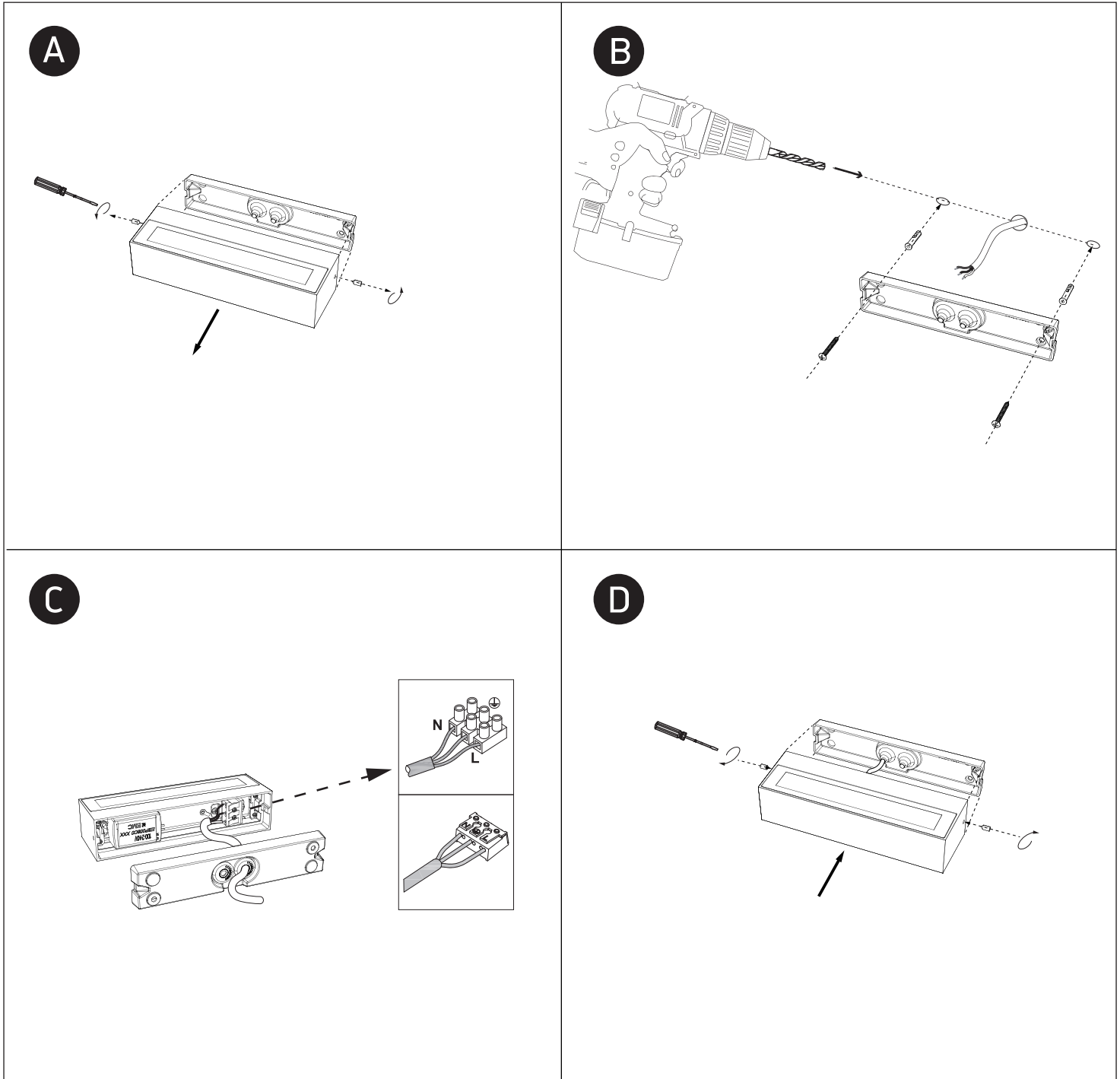
67526A1



230V | SMD 3030 | 8W | IP65 | Die cast
Complete with 350mA driver.



one
LIGHT



Warnings:

1. Make sure that the product is installed properly before connecting to electricity.
2. Do not cover the fitting.
3. Maintenance and installation should only be carried out by a professional electrician.