

INSTALLATION MANUAL

67510, 67510A, 67510B

ecolight



IK¹⁰

CE

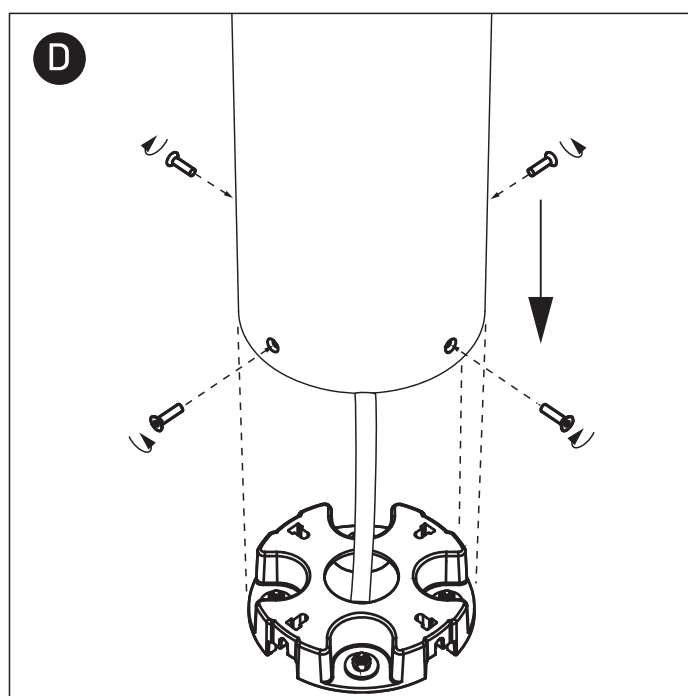
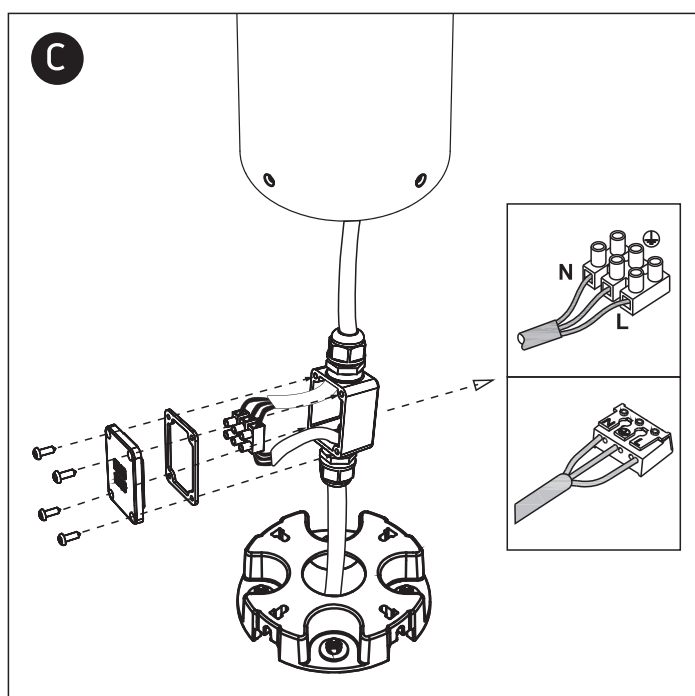
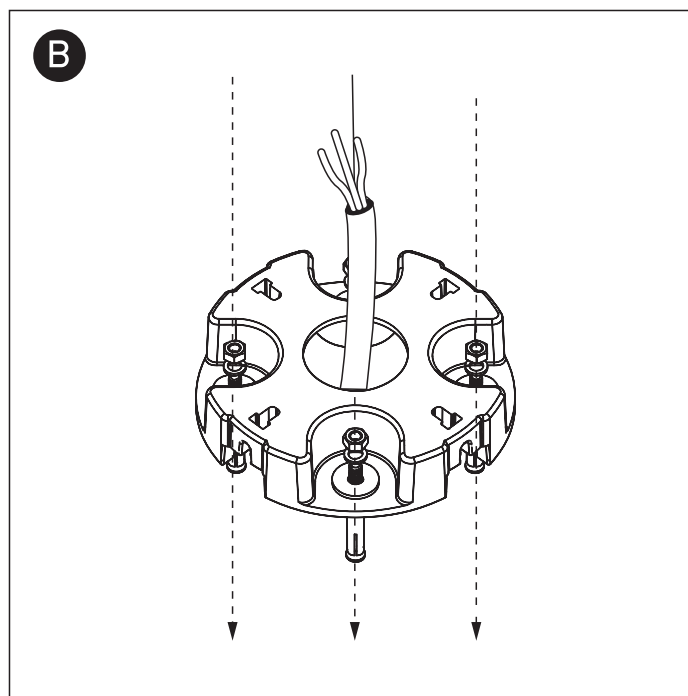
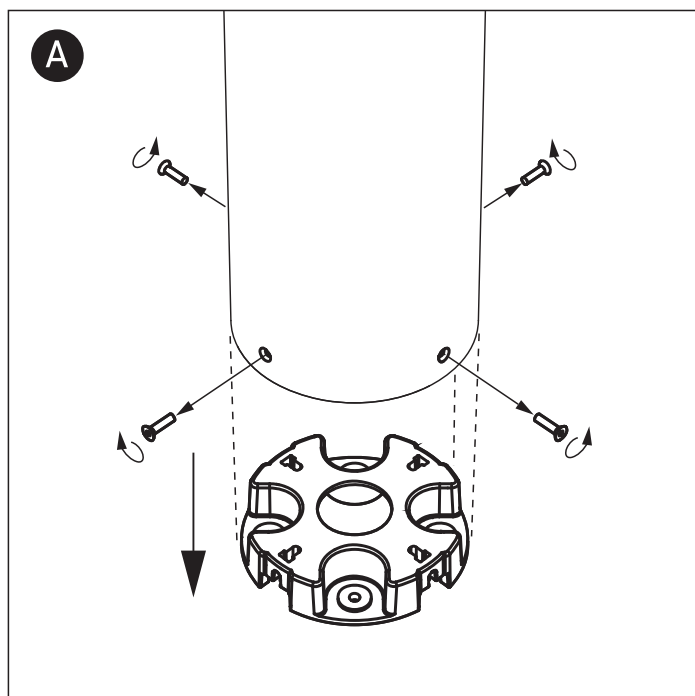
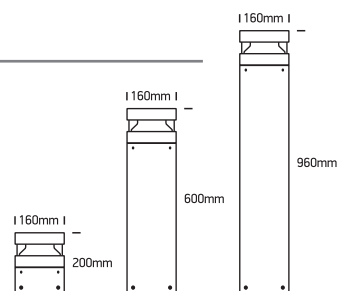
RoHS



230V | SMD 2835 | 20W | IP65 | Die cast

Complete with 500mA driver.

80
CRI



Warnings:

1. Make sure that the product is installed properly before connecting to electricity.
2. Do not cover the fitting.
3. Maintenance and installation should only be carried out by a professional electrician.