

INSTALLATION MANUAL

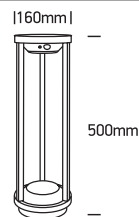
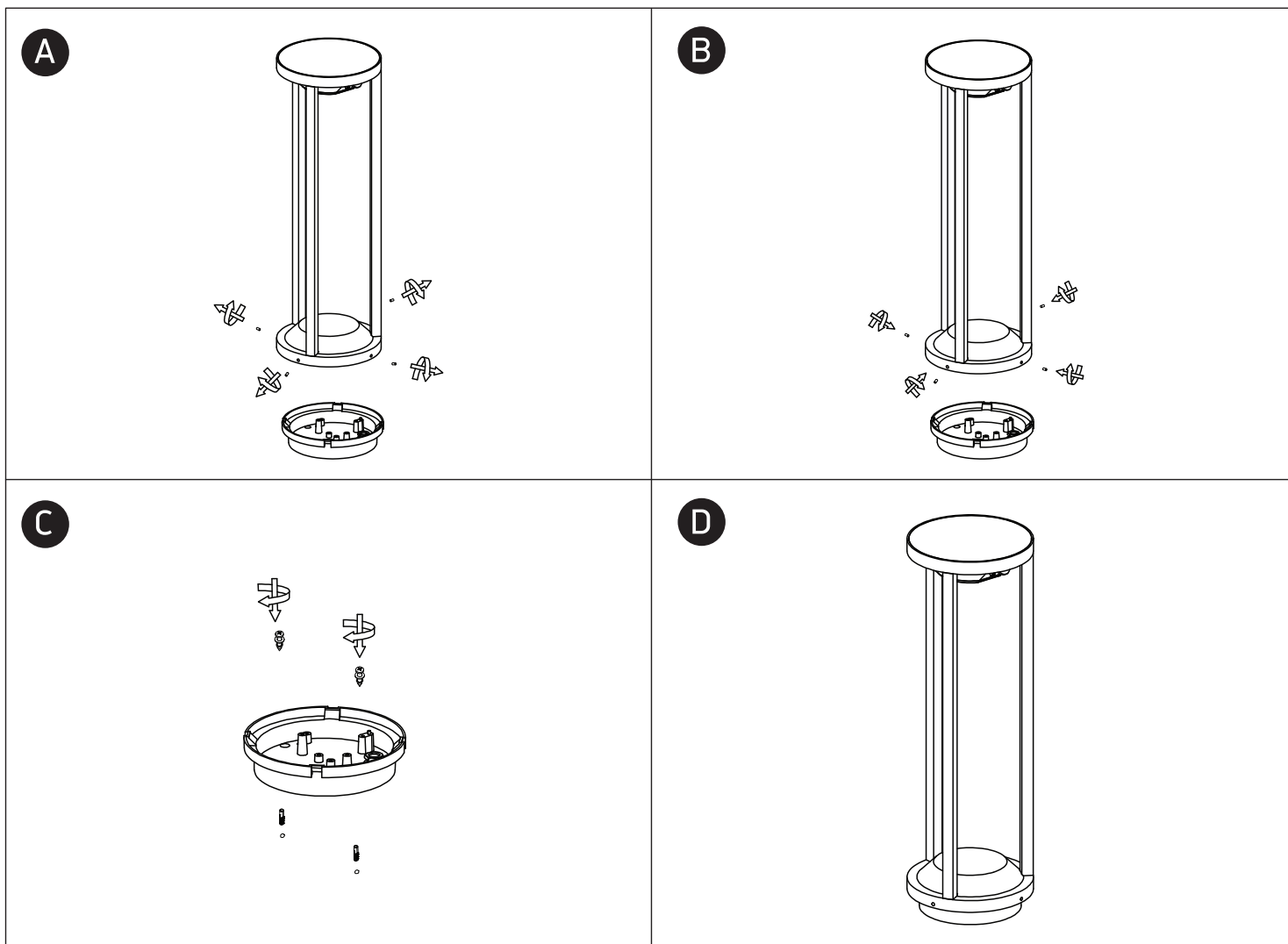
67496A

ecolight

**80
CRI**
CE
**RoHS
COMPLIANT**


2W | LED | IP65 | Solar powered | Sensor | Aluminium

1x2200mAh lithium battery / 3 Modes operation


one
LIGHT

PIR Sensor:

Distance less or equal to 8m and within angle 120°

ON/OFF operation:

- Press 3 seconds to turn on/off the light.
- When switch off, flickers 3 times.

Change mode:

- Press 1 second.

- Mode A:
- Less than 20 lux 10% Light. Detection 100% Light.
 - After 5 hours 5% Light. Detection 70% Light.

- Mode B:
- Less than 20 lux 50% Light.
 - After 2 hours 30% Light.
 - After 5 hours 20% Light.

- Mode C:
- Less than 20 lux 0% Light. Detection 100% Light.
 - After 5 hours 0% Light. Detection 70% Light.

Warnings:

1. Battery have the function of overcharge and discharge protection.
2. Please do not change anything of Solar panel or battery.
3. Please understand that the work time will be effected when sunshine is not enough (rainy, cloudy or winter).
4. It needs to clean the solar surface periodically.