

# INSTALLATION MANUAL

67478

**ecolight**



DARK  
LIGHT



238mm



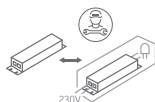
54mm

**one**  
LIGHT

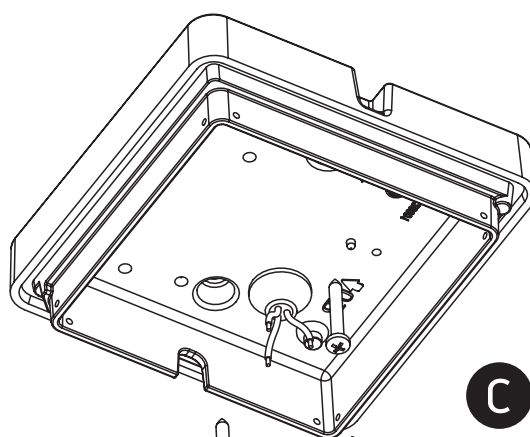
230V | SMD 2835 | 12W | IP65 | Die cast + PC

Complete with 300mA driver.

80  
CRI

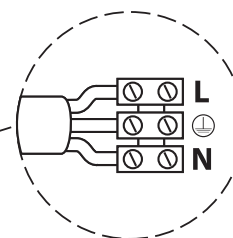


**A**

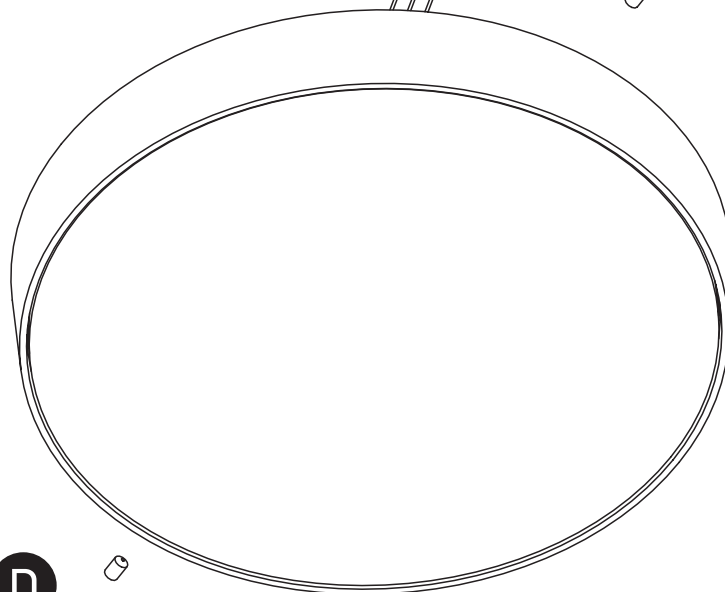


**C**

**B**



**D**



## Warnings:

1. Make sure that the product is installed properly before connecting to electricity.
2. Do not cover the fitting.
3. Maintenance and installation should only be carried out by a professional electrician.