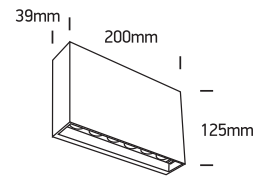


INSTALLATION MANUAL

67472

ecolight



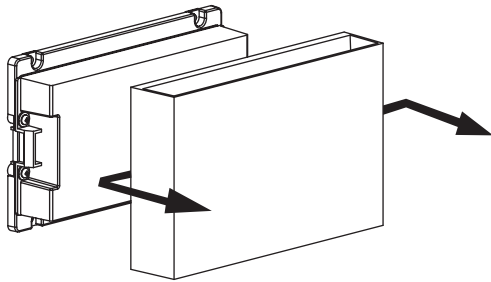
one
LIGHT

230V | SMD2835 | 2x6W | IP65 | ABS + PC

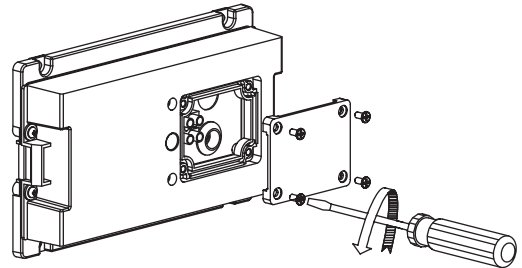
Complete with 300mA driver.

80
CRI

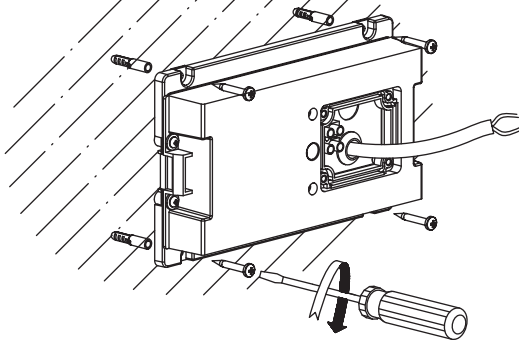
A



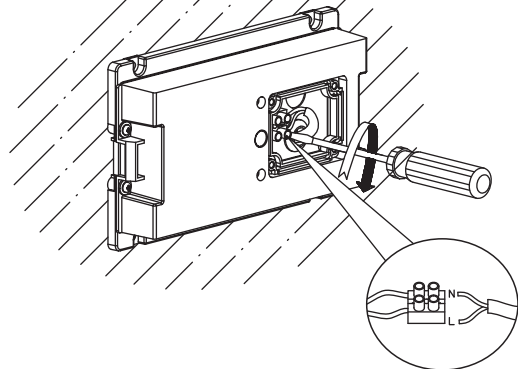
B



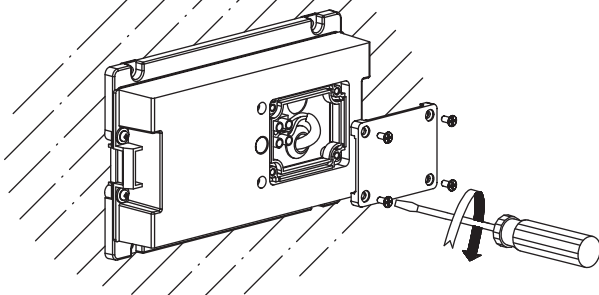
C



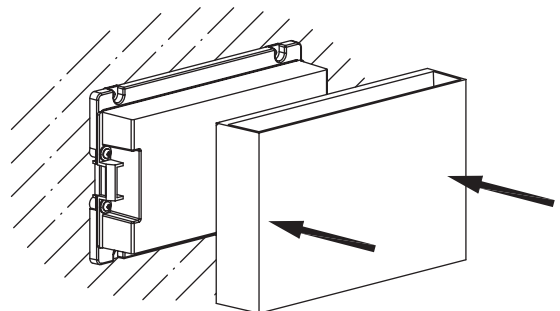
D



E



F



Warnings:

1. Make sure that the product is installed properly before connecting to electricity.
2. Do not cover the fitting.
3. Maintenance and installation should only be carried out by a professional electrician.