

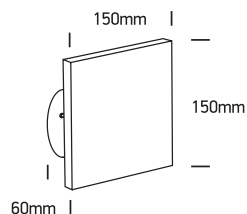
# INSTALLATION MANUAL

67450A

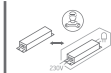
**ecolight**



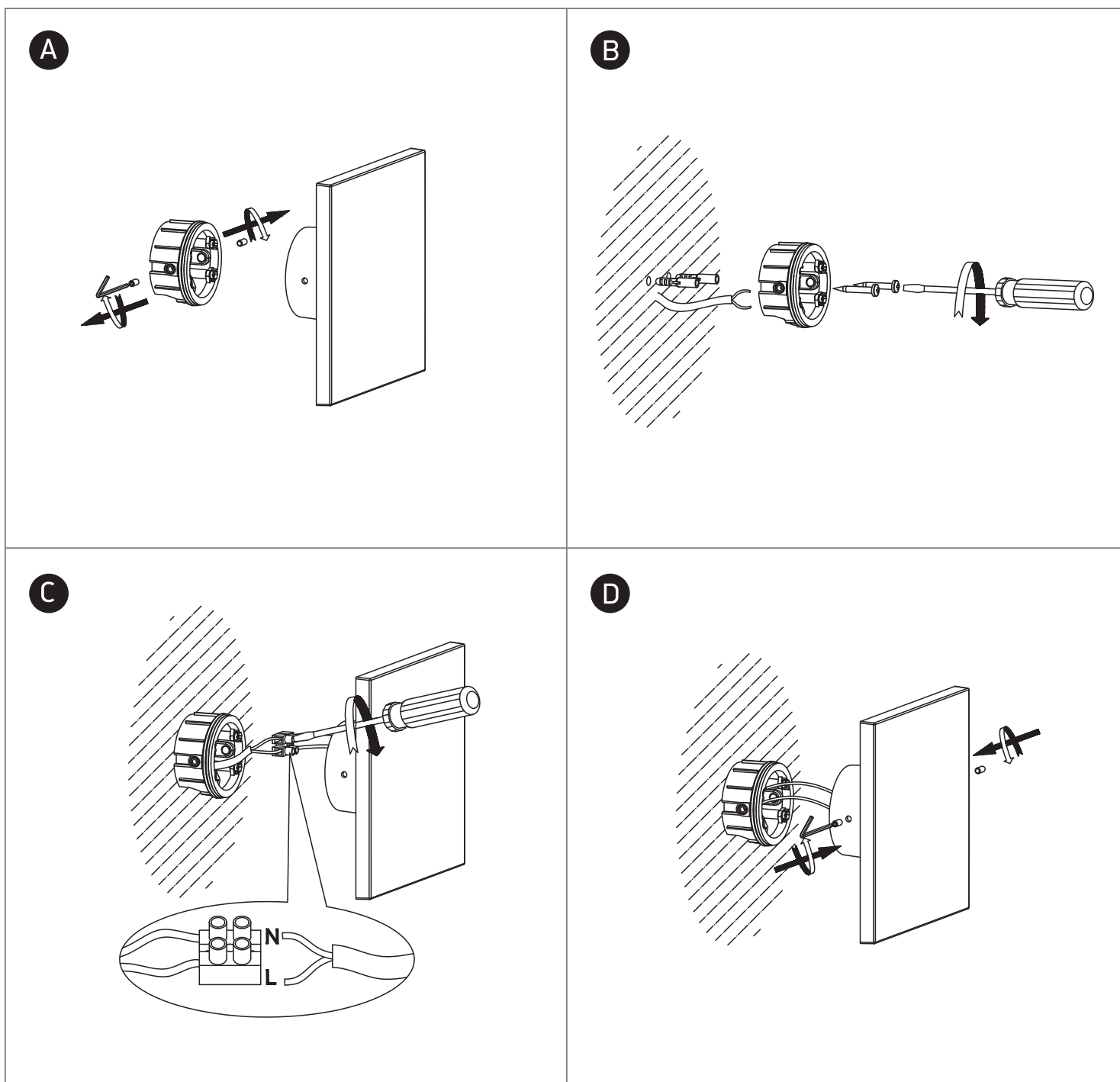
DARK LIGHT IK<sup>08</sup>



230V | SMD 2835 | 7W | IP54 | ABS + PC  
Complete with 300mA driver.



**one**  
LIGHT



## Warnings:

1. Make sure that the product is installed properly before connecting to electricity.
2. Do not cover the fitting.
3. Maintenance and installation should only be carried out by a professional electrician.