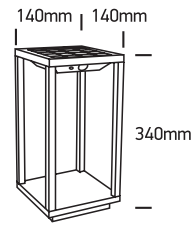


INSTALLATION MANUAL

67428

ecolight



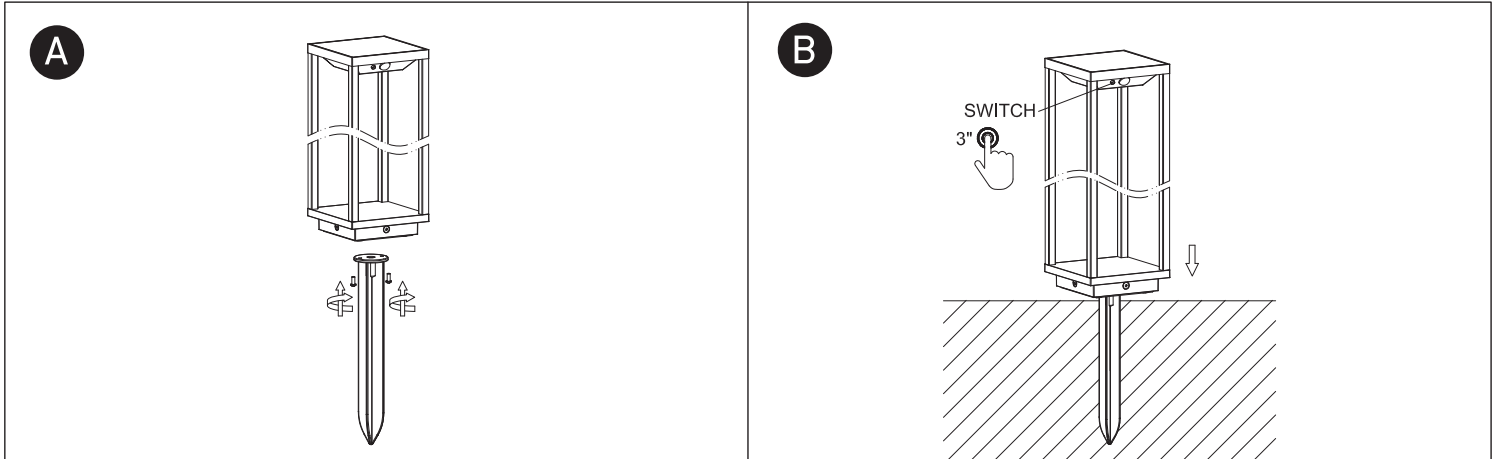
one
LIGHT

2,2W | IP54 | Solar powered | Sensor | Die cast

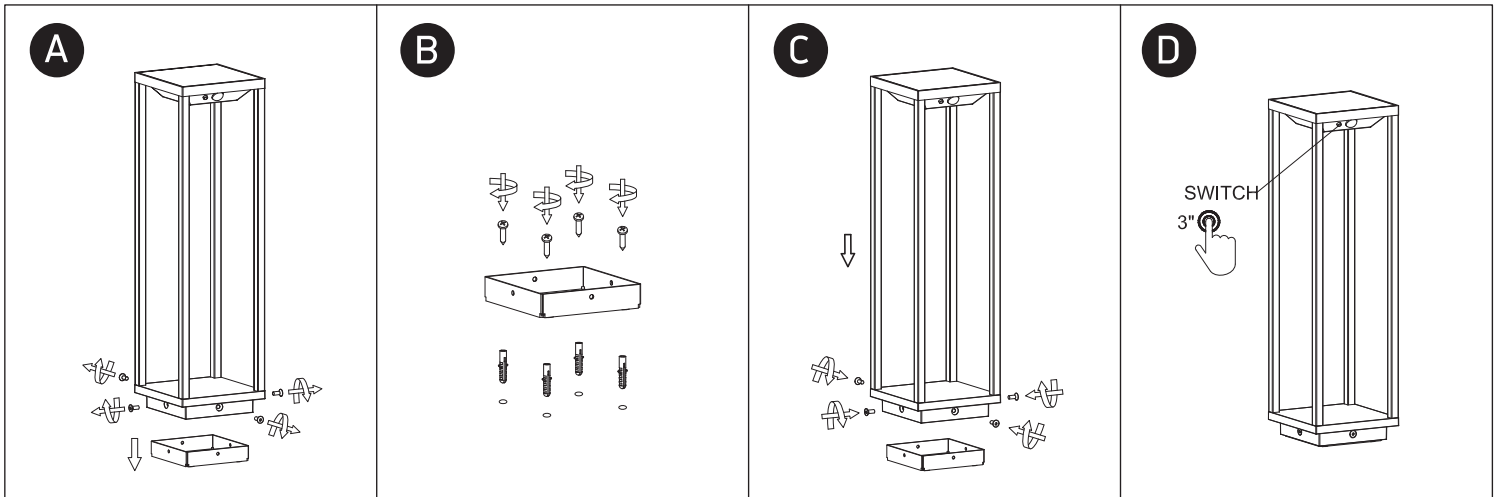
Supplied with spike.
1x2200mAh lithium battery.

80
CRI

INSTALLATION WITH SPIKE



INSTALLATION ON CONCRETE



LED 100% when movement detected.
LED 15% when no movement detected.

PIR Sensor: Distance up to 6m and within angle 120°

Charging time: 6-8Hrs (solar)

Working time: 2,5-3Hrs in 100% LED brightness
20-25Hrs in 15% LED brightness

Warnings:

1. Battery have the function of overcharge and discharge protection.
2. Please do not change anything of Solar panel or battery.
3. Please understand that the work time will be effected when sunshine is not enough (rainy ,cloudy or winter).
4. It needs to clean the surface of battery usually.