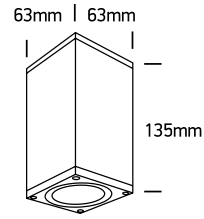


# INSTALLATION MANUAL

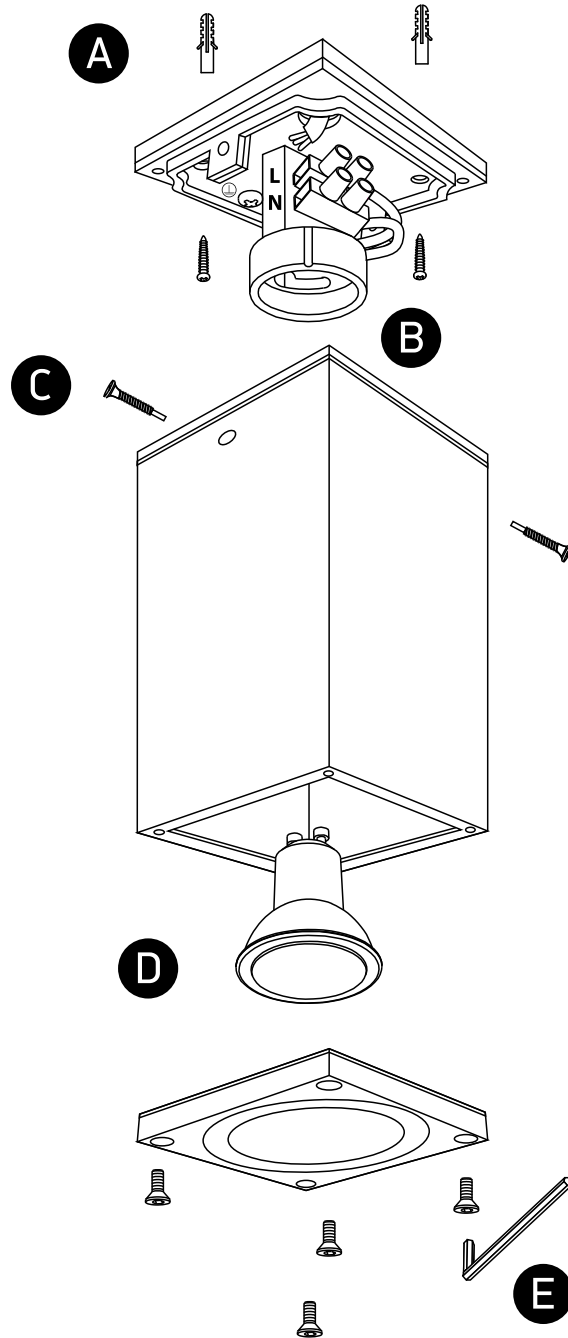
67426D



100-240V | MR16 | GU10 | 10W | IP54 | Die cast



**one**  
LIGHT



## Warnings:

1. Make sure that the product is installed properly before connecting to electricity.
2. Do not cover the fitting.
3. Maintenance and installation should only be carried out by a professional electrician.