

# INSTALLATION MANUAL

67424A

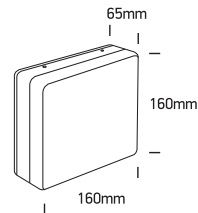
**ecolight**



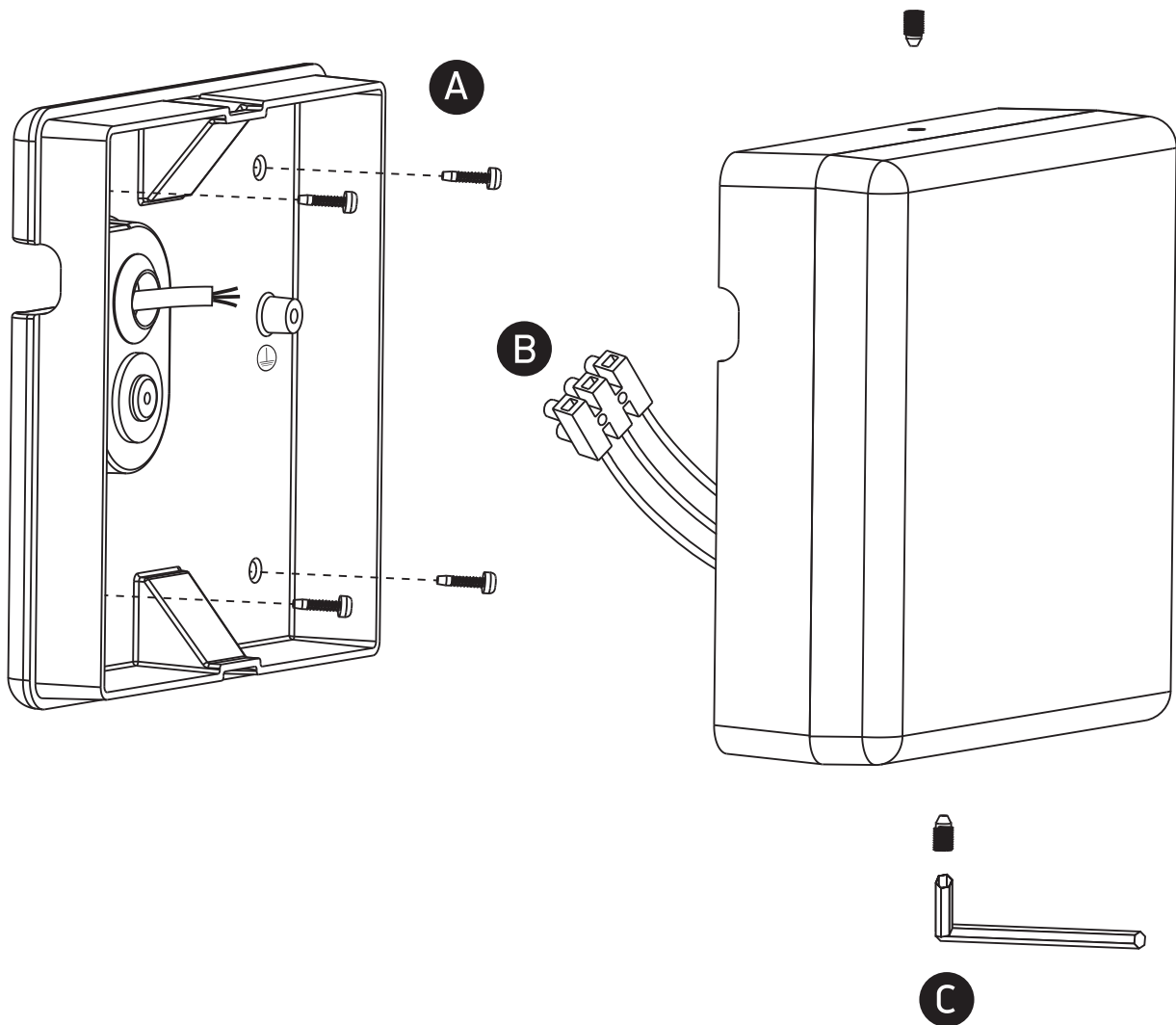
230V | SMD 3528 | 9W | IP54 | Die cast + PC

Complete with driver.

**80**  
CRI



**one**  
LIGHT



## Warnings:

1. Make sure that the product is installed properly before connecting to electricity.
2. Do not cover the fitting.
3. Maintenance and installation should only be carried out by a professional electrician.