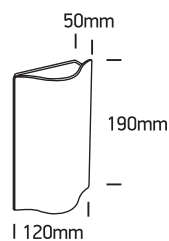


# INSTALLATION MANUAL

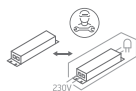
## 67422A

**ecolight**

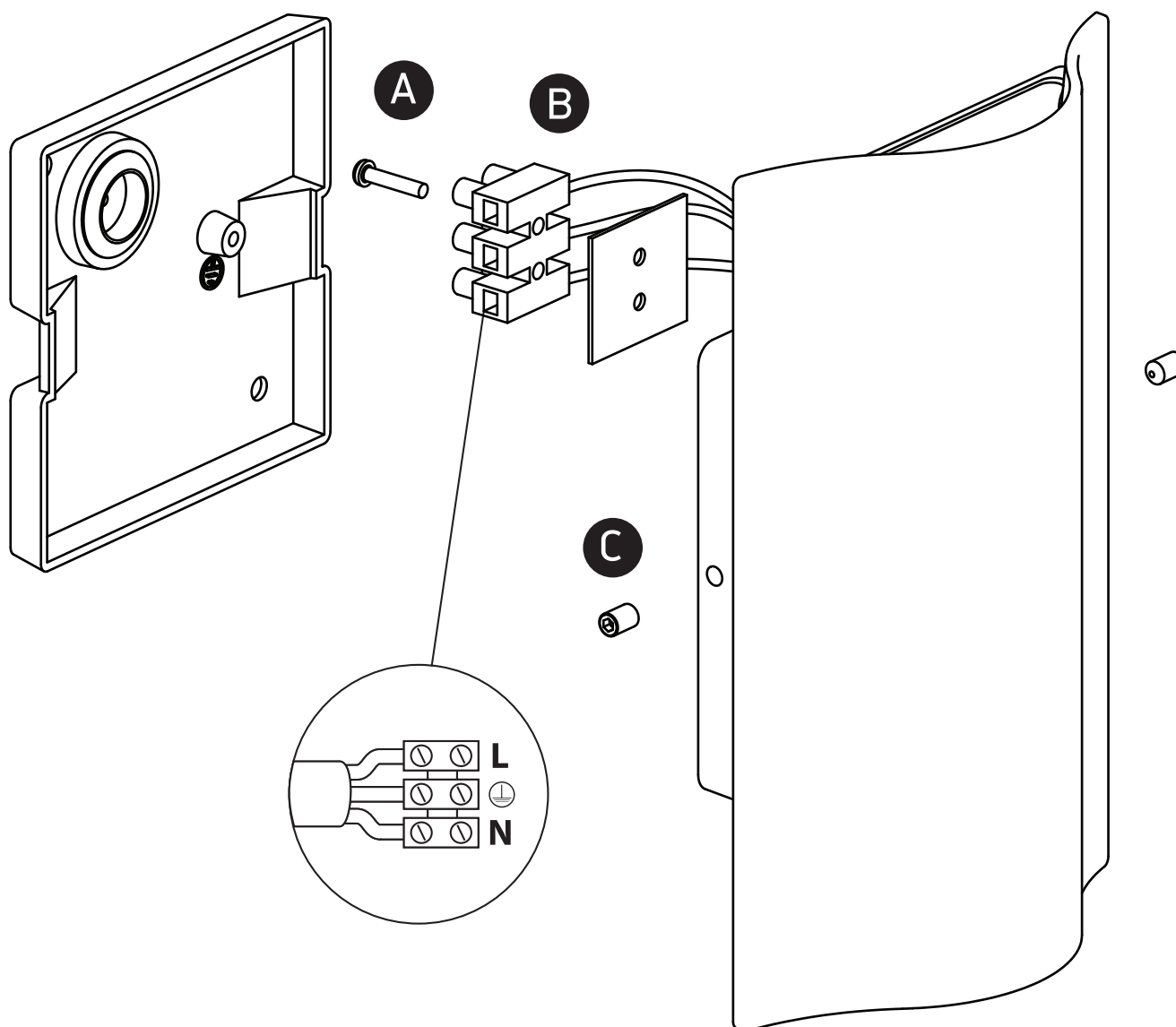


230V | 2x6W | IP54 | Die cast

Complete with 500mA driver.



**80**  
CRI



### Warnings:

1. Make sure that the product is installed properly before connecting to electricity.
2. Do not cover the fitting.
3. Maintenance and installation should only be carried out by a professional electrician.