

# INSTALLATION MANUAL

67422

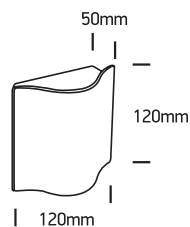
**ecolight**



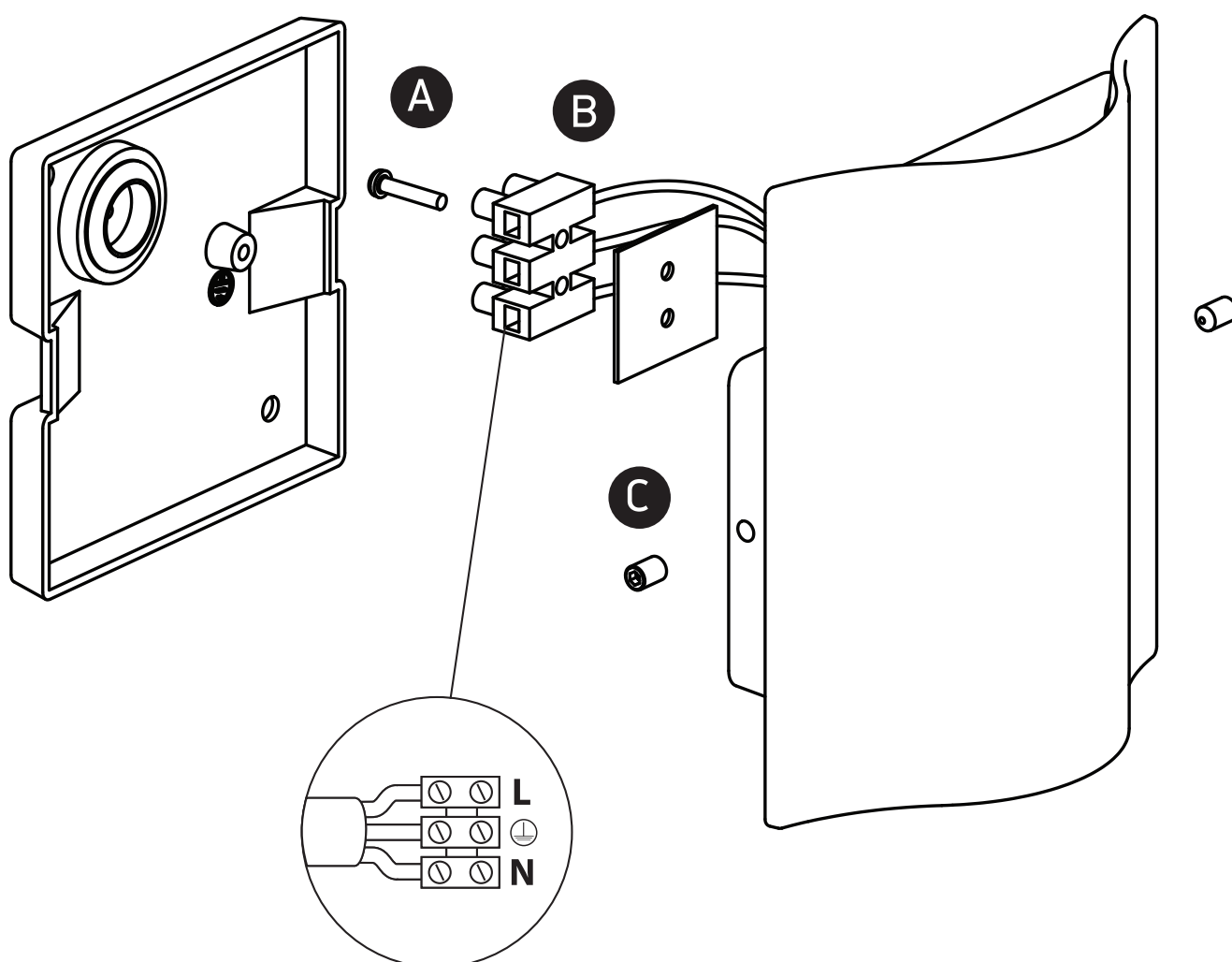
230V | 6W | IP54 | Die cast

Complete with driver.

80  
CRI



**one**  
LIGHT



## Warnings:

1. Make sure that the product is installed properly before connecting to electricity.
2. Do not cover the fitting.
3. Maintenance and installation should only be carried out by a professional electrician.