

INSTALLATION MANUAL

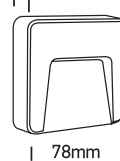
67417

LED
BUILT INDARK
LIGHT

230V | SMD 2835 | 1,5W | IP65 | ABS + PC

80
CRI

25mm

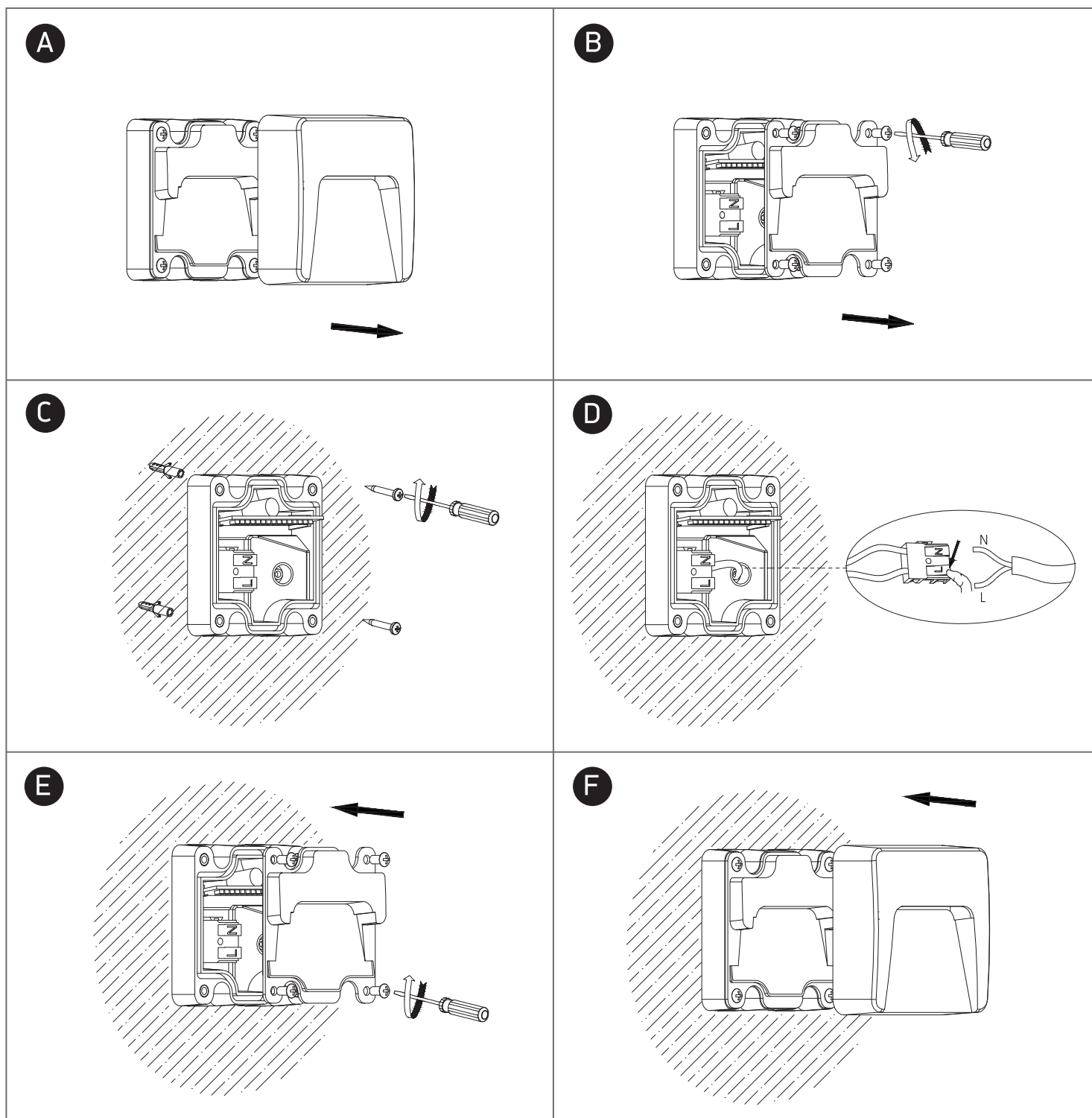


78mm

78mm

one

LIGHT



Warnings:

1. Make sure that the product is installed properly before connecting to electricity.
2. Do not cover the fitting.
3. Maintenance and installation should only be carried out by a professional electrician.