

INSTALLATION MANUAL

67412

ecolight



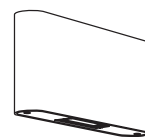
CE

RoHS
COMPLIANT



42mm

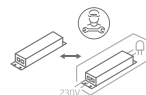
180mm



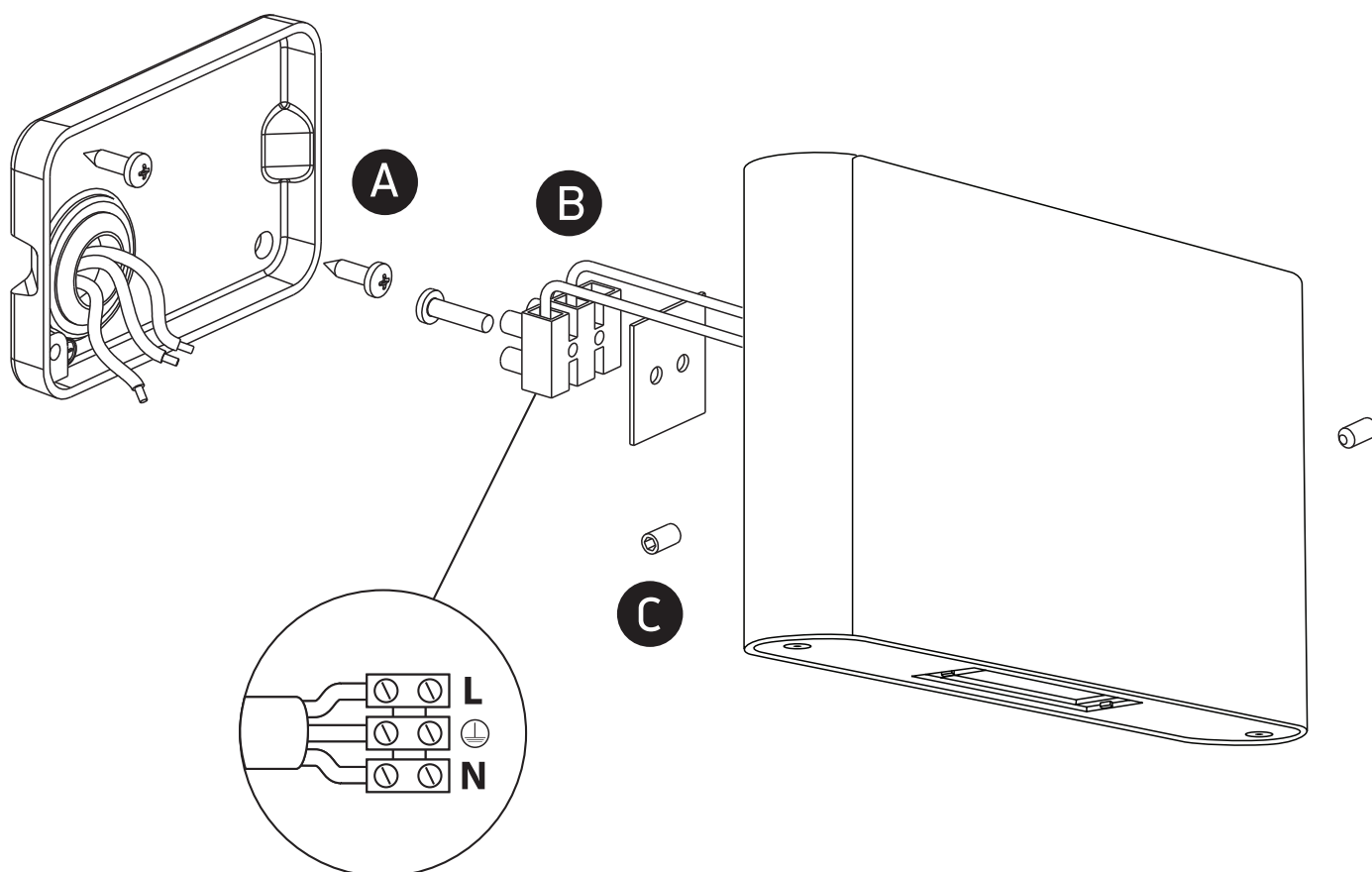
115mm

one
LIGHT

230V | 2x6W | IP54 | Adjustable beams | Die cast
Complete with 500mA driver.



80
CRI



Warnings:

1. Make sure that the product is installed properly before connecting to electricity.
2. Do not cover the fitting.
3. Maintenance and installation should only be carried out by a professional electrician.