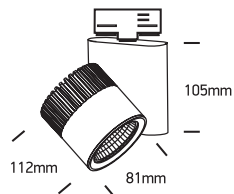


# INSTALLATION MANUAL

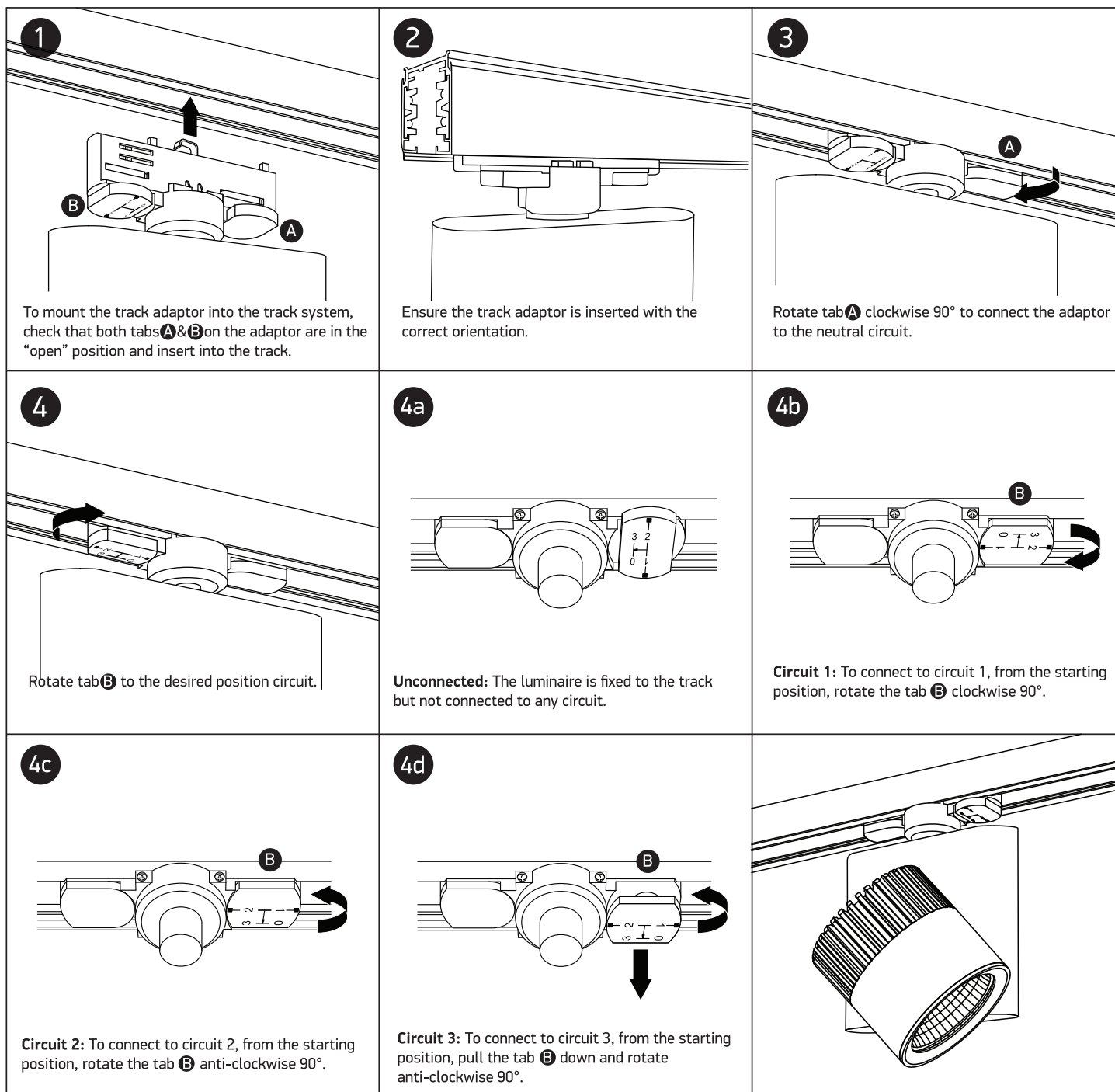
## 65620AT

**ecotrackspot**


20W | 230V | 50/60Hz | IP20 | Aluminium | Adjustable

**80  
CRI**

Complete with driver.



### Warnings:

1. Make sure that the product is installed properly before connecting to electricity.
2. Do not cover the fitting.
3. Maintenance and installation should only be carried out by a professional electrician.