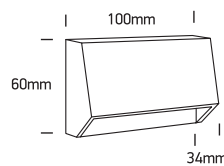


# INSTALLATION MANUAL

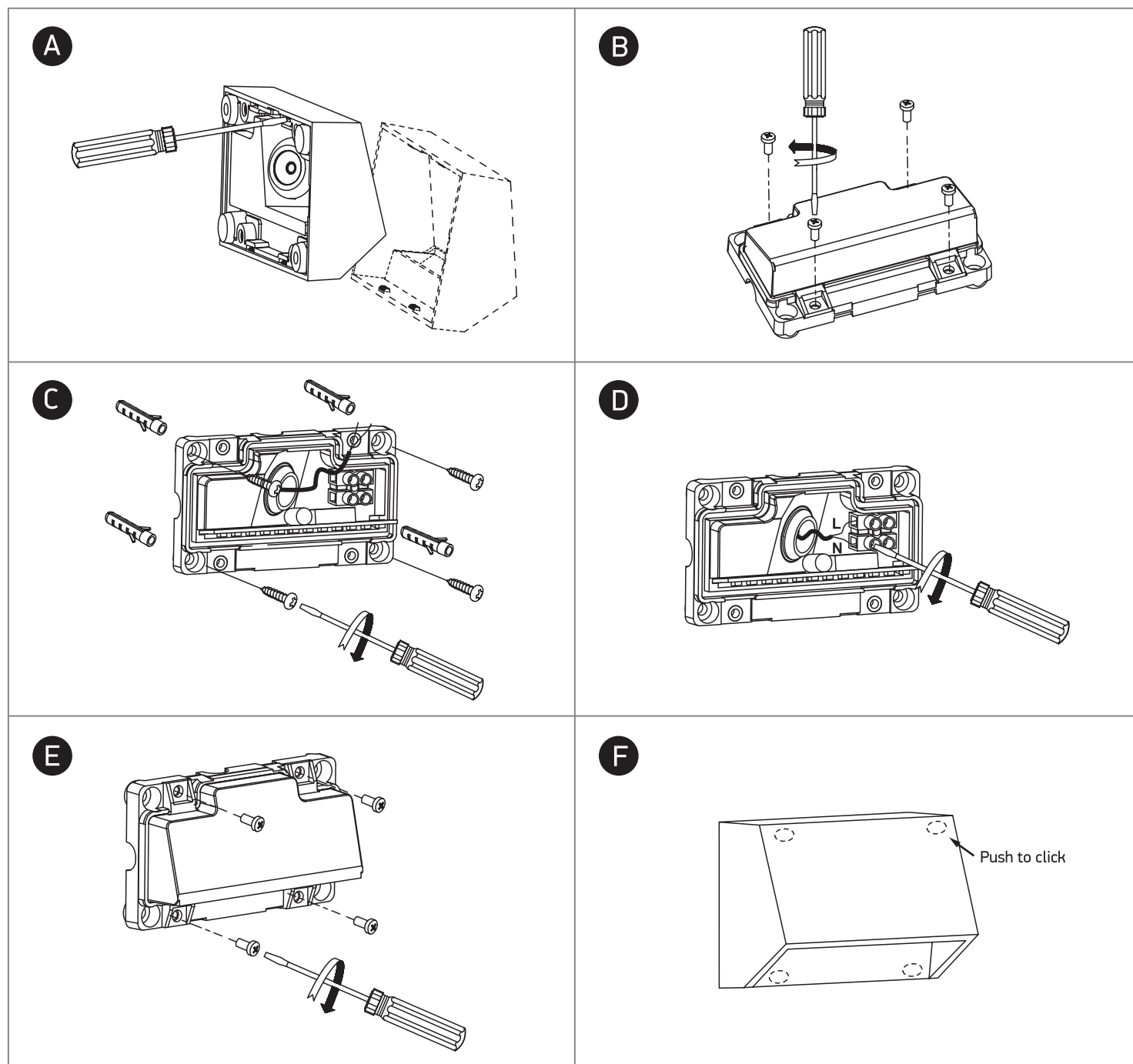
67386A

**ecolight**

**DARK  
LIGHT**

**one**  
LIGHT

230V | SMD 2835 | 1,5W | IP65 | ABS + PC

AC LED

80  
CRI

## Warnings:

1. Make sure that the product is installed properly before connecting to electricity.
2. Do not cover the fitting.
3. Maintenance and installation should only be carried out by a professional electrician.