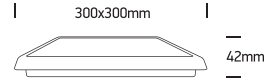


INSTALLATION MANUAL

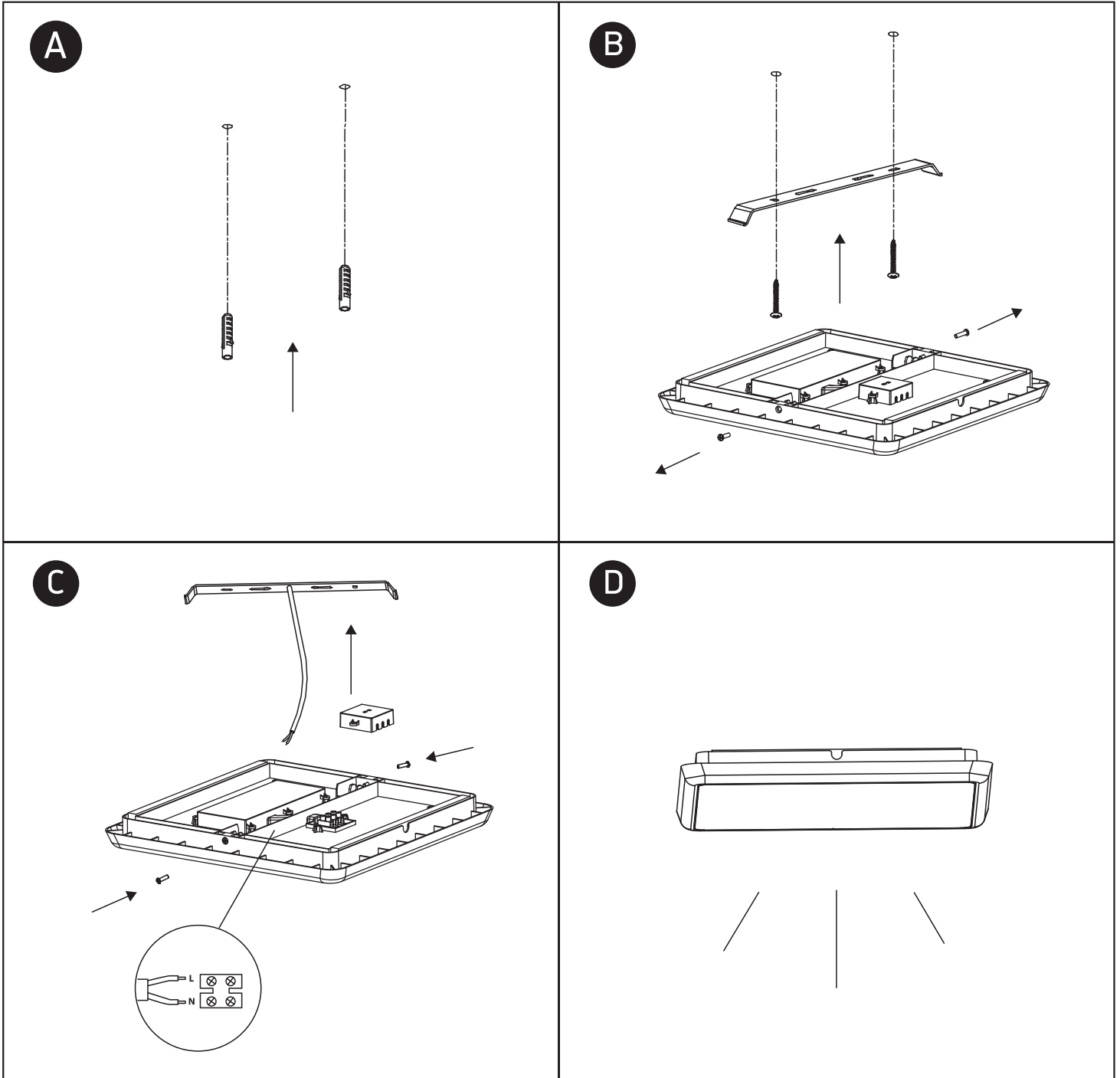
67372



230V | SMD 2835 | 25W | IP54 | PC
Complete with 300mA driver.



one
LIGHT



Warnings:

1. Make sure that the product is installed properly before connecting to electricity.
2. Do not cover the fitting.
3. Maintenance and installation should only be carried out by a professional electrician.