

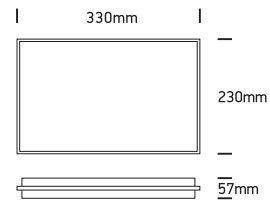
INSTALLATION MANUAL

67364

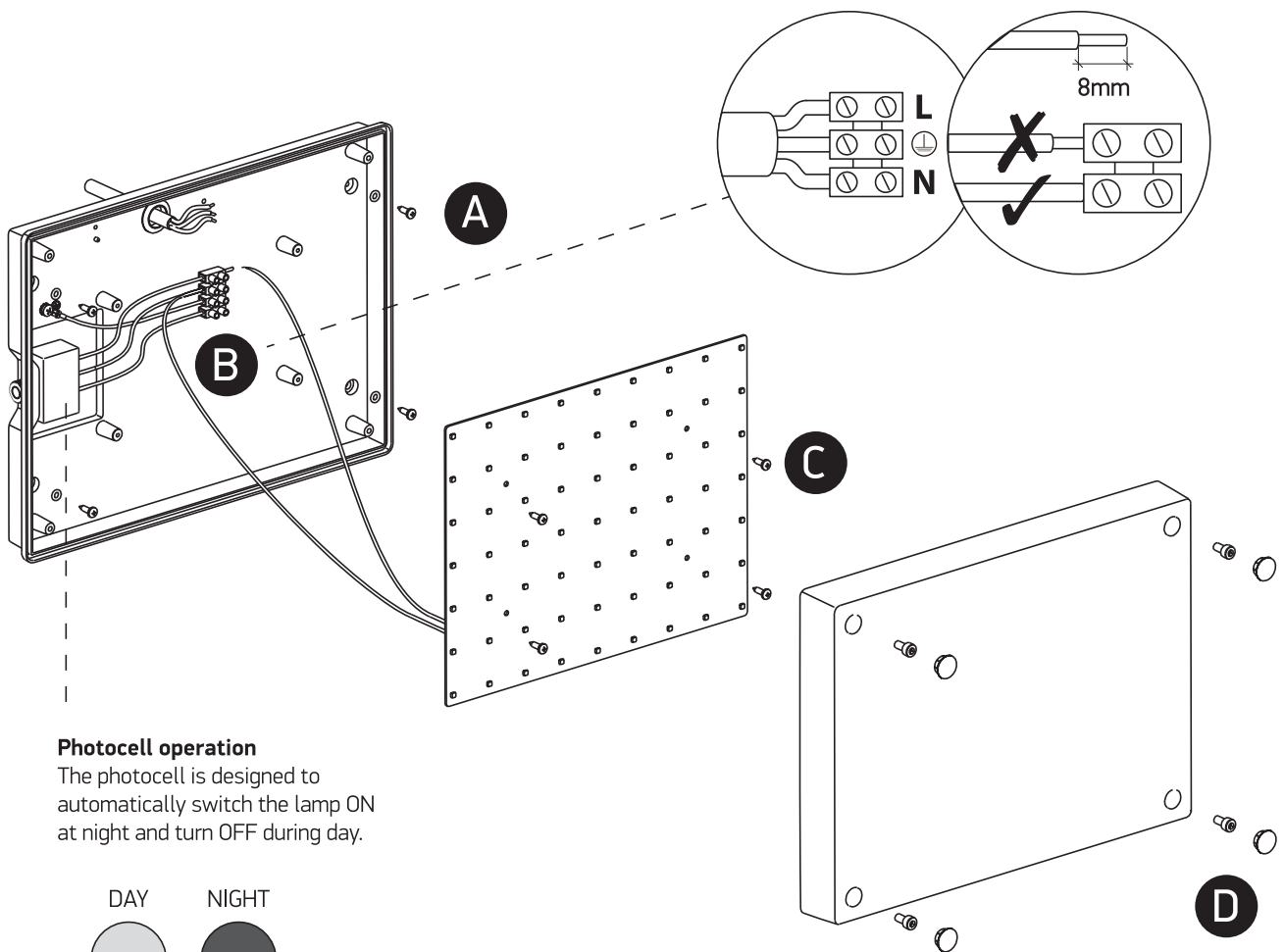
ecolight



230V | 8W | IP54 | Die cast

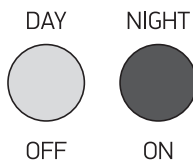


one
LIGHT



Photocell operation

The photocell is designed to automatically switch the lamp ON at night and turn OFF during day.



Warnings:

1. Make sure that the product is installed properly before connecting to electricity.
2. Do not cover the fitting.
3. Maintenance and installation should only be carried out by a professional electrician.