

# INSTALLATION MANUAL

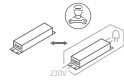
67362C

**ecolight**

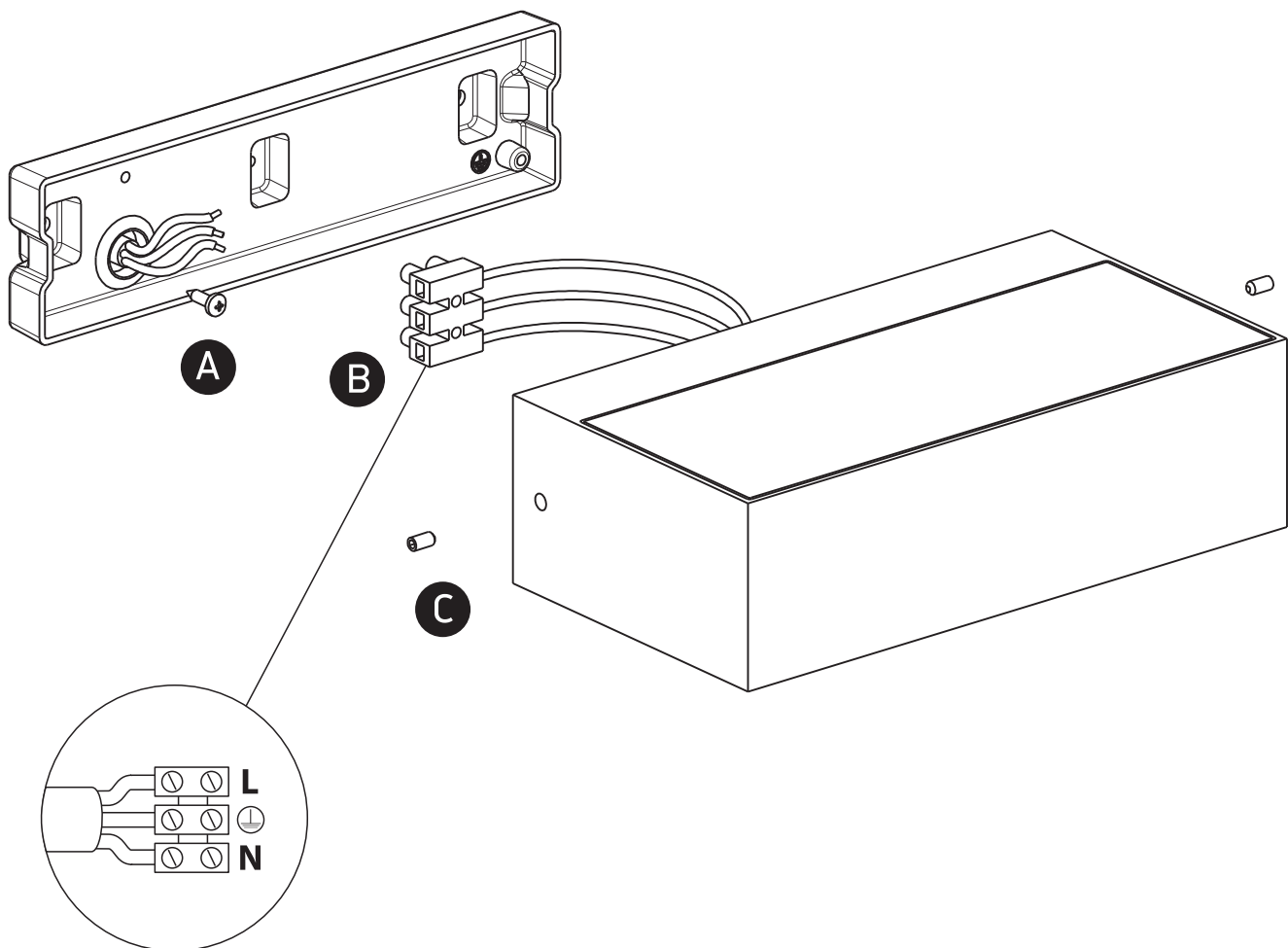
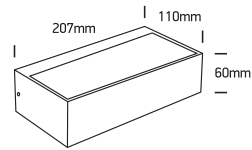


80  
CRI

230V | 2x4,5W | IP54 | Die cast



Complete with 350mA driver.



## Warnings:

1. Make sure that the product is installed properly before connecting to electricity.
2. Do not cover the fitting.
3. Maintenance and installation should only be carried out by a professional electrician.