

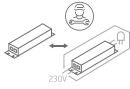
# INSTALLATION MANUAL

## 67362A

**ecolight**

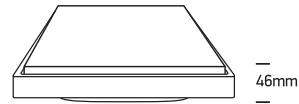


230V | SMD 2835 | 25W | IP54 | Die cast  
Complete with 350mA driver.

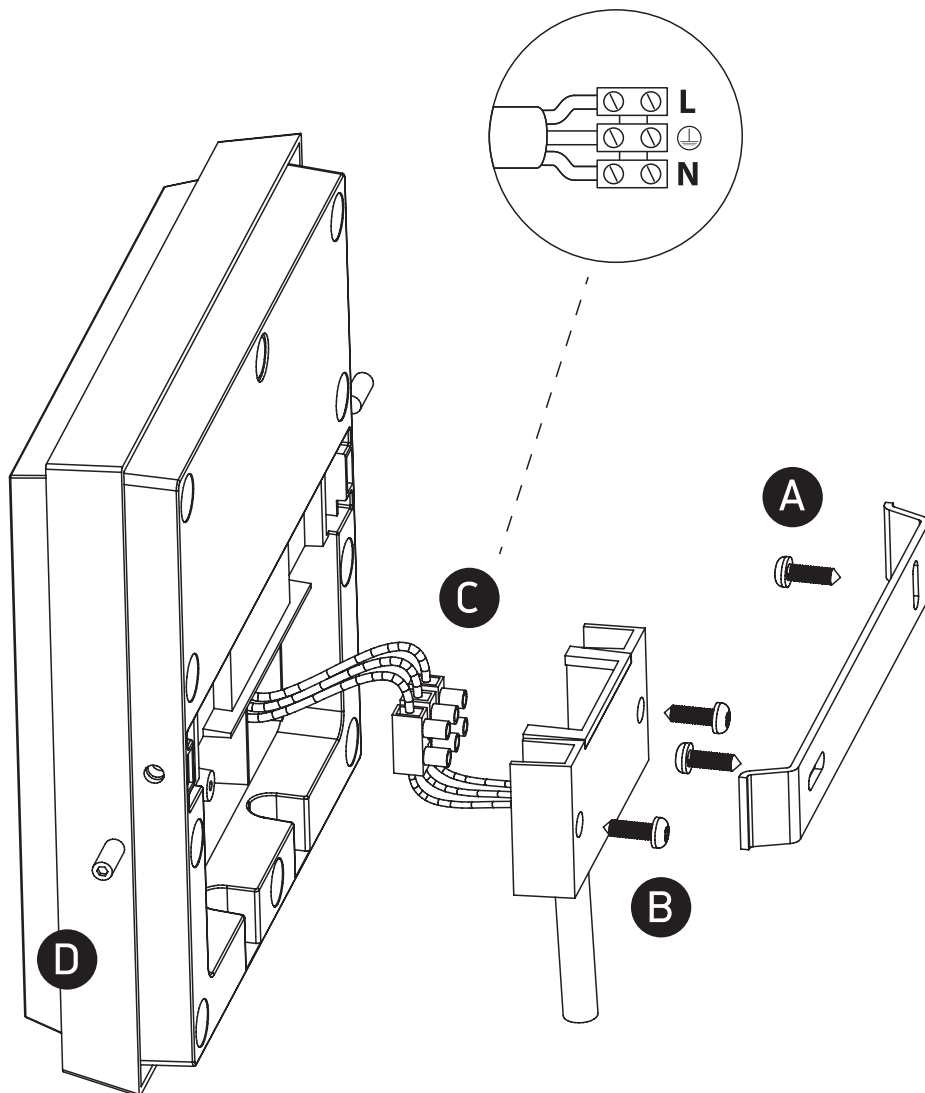


**80 CRI**

| 238x238mm |



**one**  
LIGHT



### Warnings:

1. Make sure that the product is installed properly before connecting to electricity.
2. Do not cover the fitting.
3. Maintenance and installation should only be carried out by a professional electrician.