

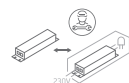
# INSTALLATION MANUAL

67282N

**ecolight**

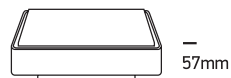


230V | SMD 2835 | 16W | IP65 | ABS + PC  
Complete with 500mA driver.

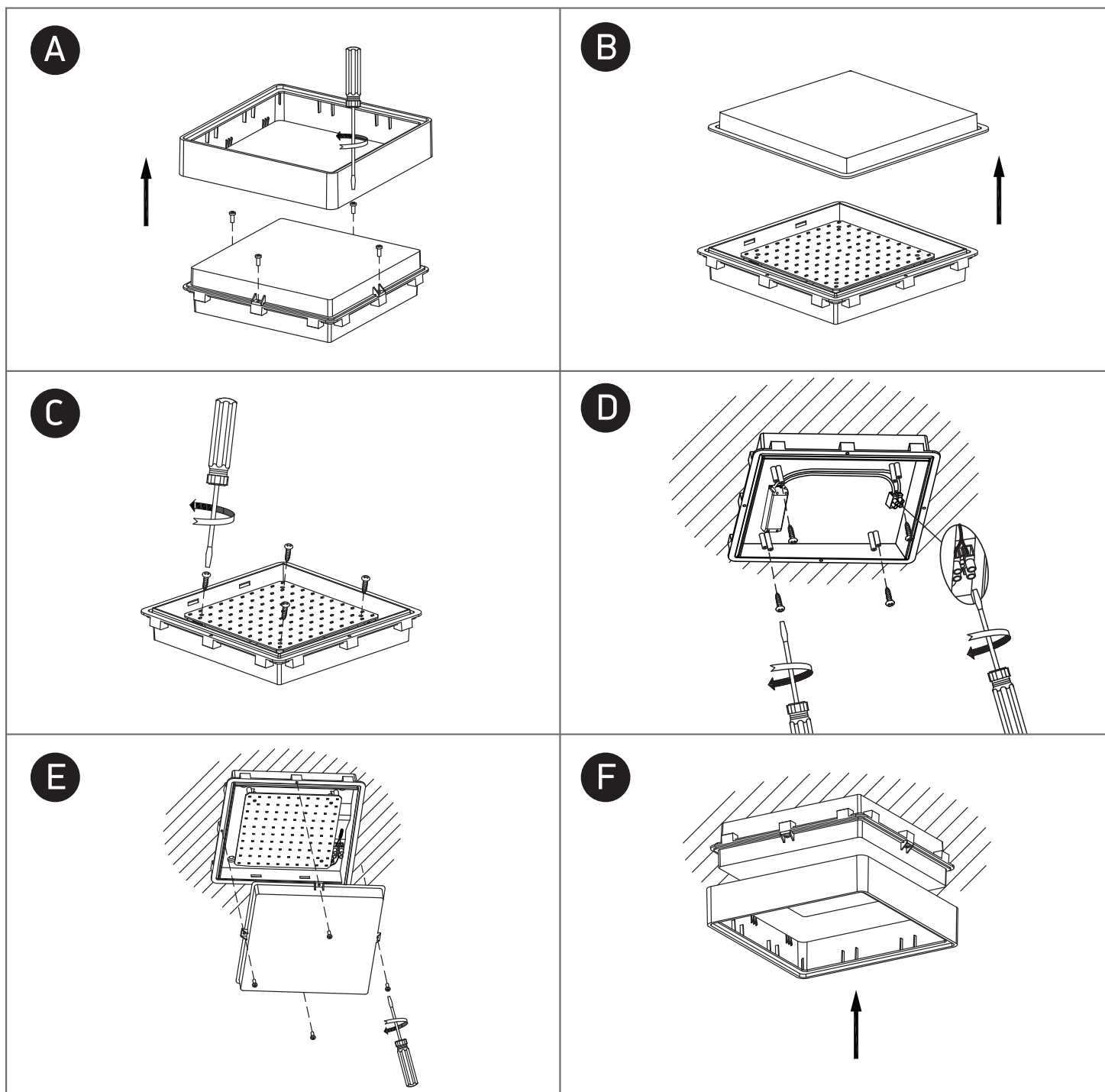


80  
CRI

| 221x221mm |



**one**  
LIGHT



## Warnings:

1. Make sure that the product is installed properly before connecting to electricity.
2. Do not cover the fitting.
3. Maintenance and installation should only be carried out by a professional electrician.