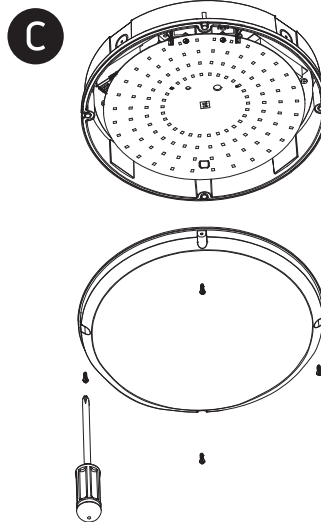
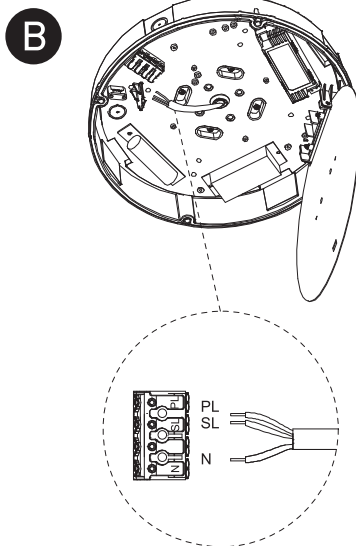
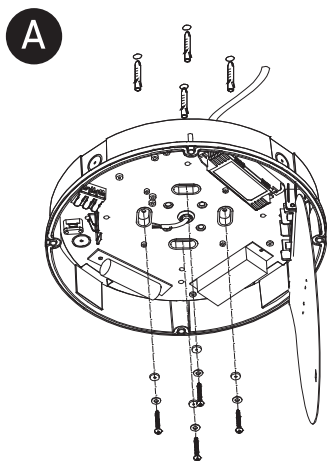
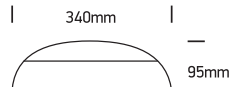


INSTALLATION MANUAL

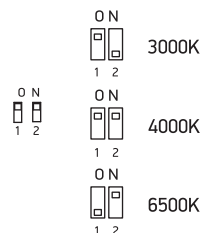
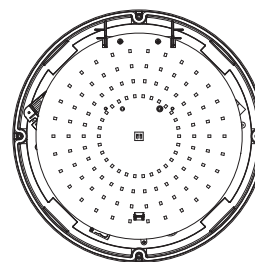
67218E



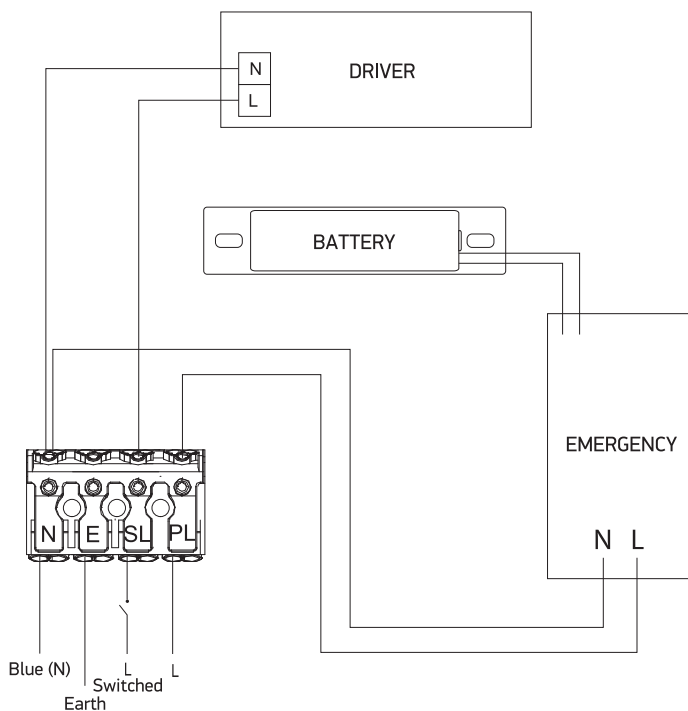
230V | SMD 2835 | 15W | IP65
 Emergency 3Hrs Non-Maintained | CCT Adjustable | Plastic
 Complete with 180mA driver.



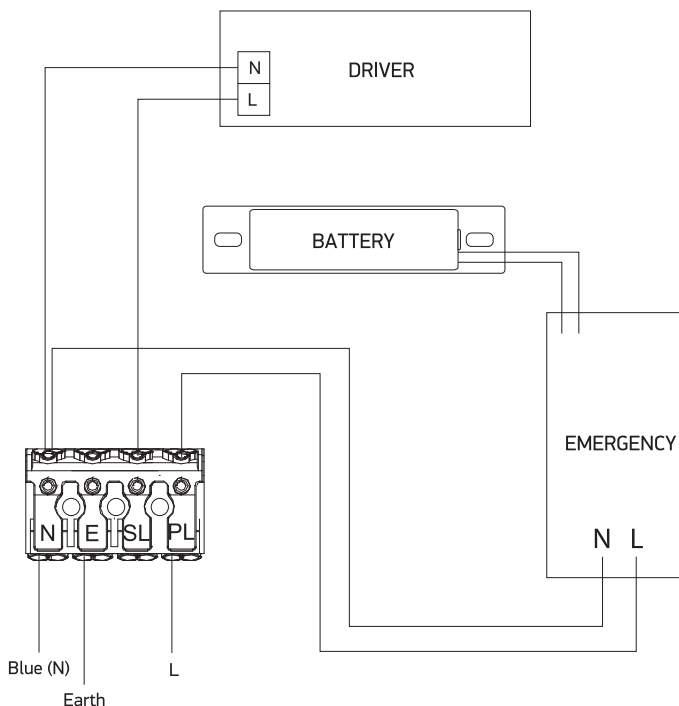
D Adjust the color temperature through this DIP switch



Wiring diagram (Maintained)



Wiring diagram (Non-maintained)



Warnings:

1. Fix the base on the ceiling.
2. Make sure that the product is installed properly before connecting to electricity.
3. Connect the AC power cable to the driver's cable as shown in the above diagram.
4. Do not cover the fitting.
5. Maintenance and installation should only be carried out by a professional electrician.