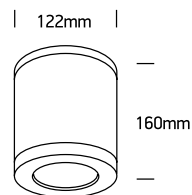
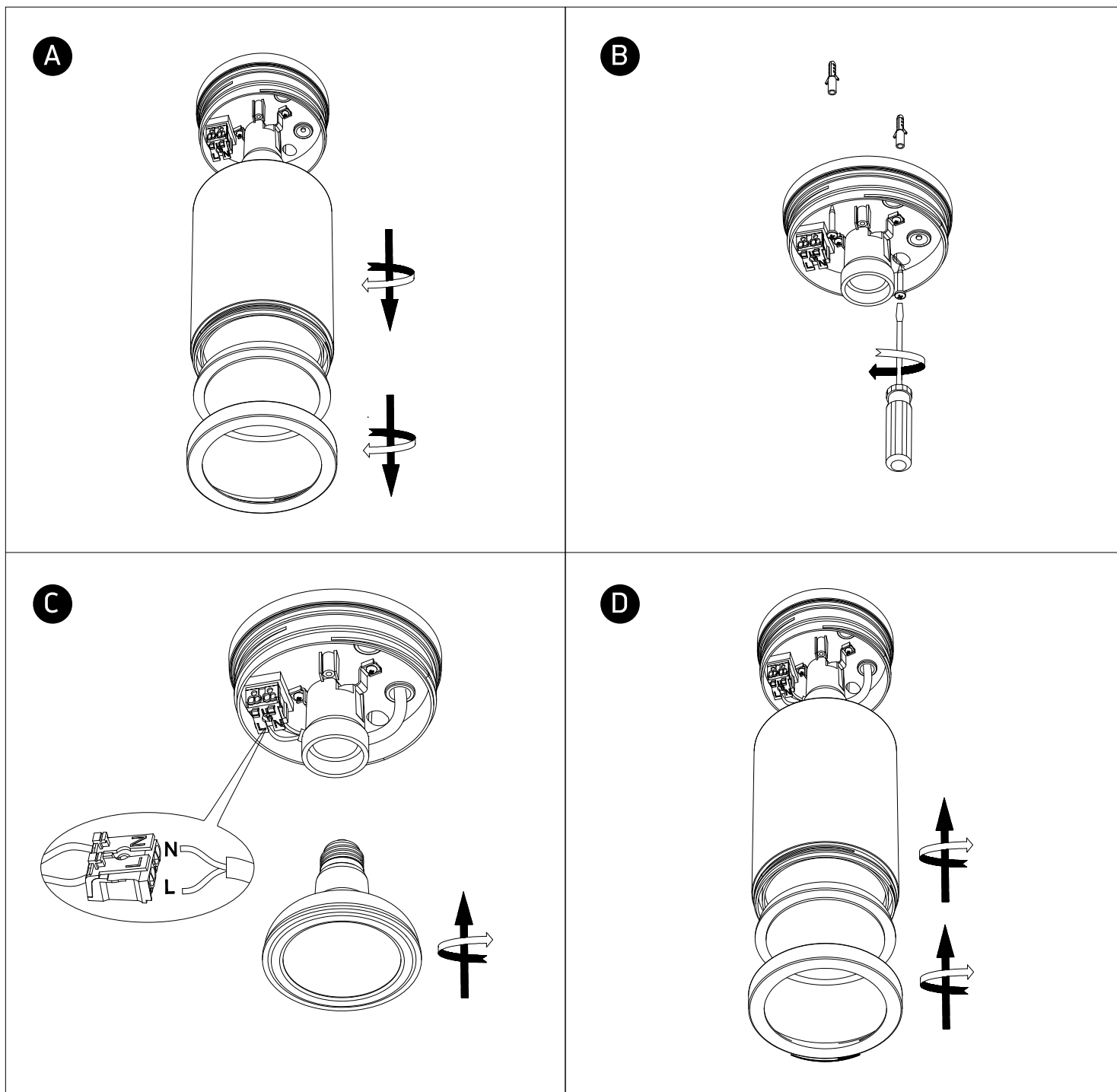


# INSTALLATION MANUAL

## 67142C



100-240V | PAR30 | E27 | 10W | IP65 | ABS + PC



### Warnings:

1. Make sure that the product is installed properly before connecting to electricity.
2. Do not cover the fitting.
3. Maintenance and installation should only be carried out by a professional electrician.