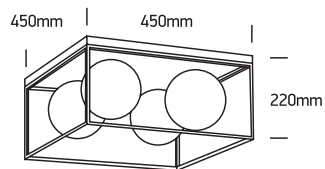


# INSTALLATION MANUAL

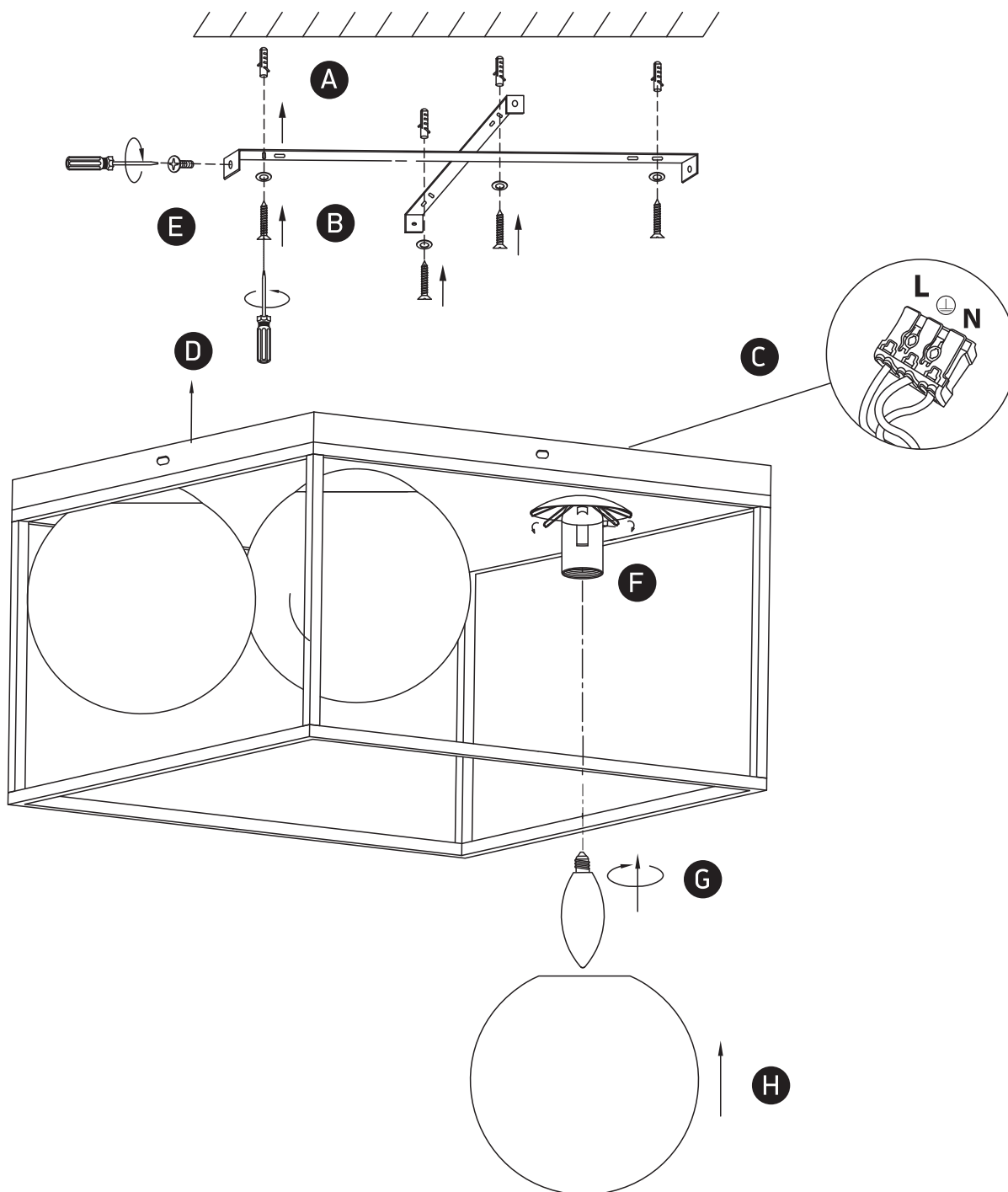
62174B



100-240V | E14 | 4x8W | IP20 | Metal + glass



one  
LIGHT



## Warnings:

1. Make sure that the product is installed properly before connecting to electricity.
2. Do not cover the fitting.
3. Maintenance and installation should only be carried out by a professional electrician.