

# INSTALLATION MANUAL

65746A

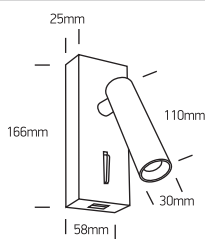
LED  
BUILT IN



ADJUSTABLE

CE EAC UK CA

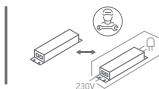
RoHS  
COMPLIANT



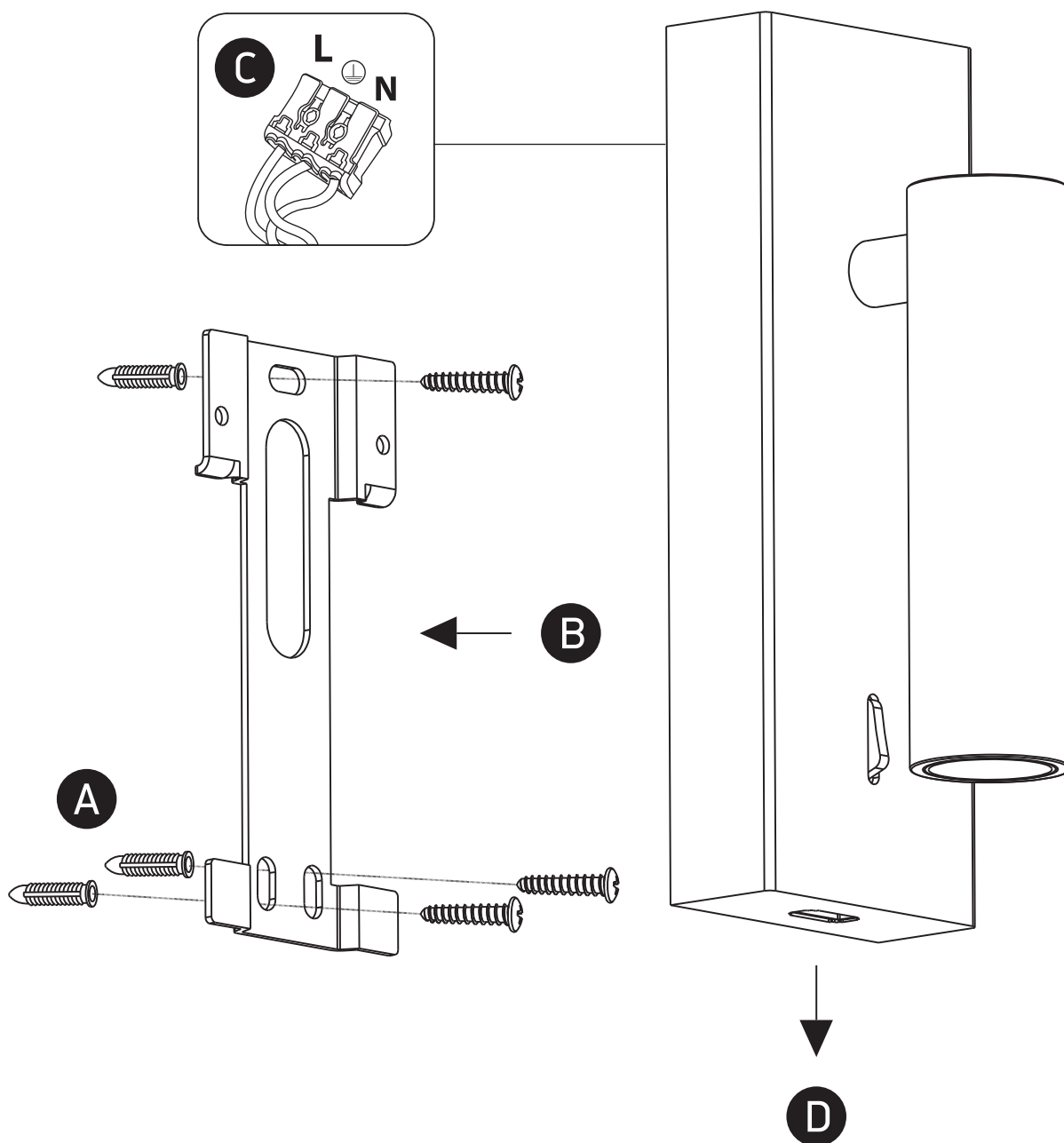
one  
LIGHT

230V | LED | 3W | IP20 | Aluminium

Complete with 700mA driver.



90  
CRI



## Warnings:

1. Make sure that the product is installed properly before connecting to electricity.
2. Do not cover the fitting.
3. Maintenance and installation should only be carried out by a professional electrician.