

# INSTALLATION MANUAL

65746

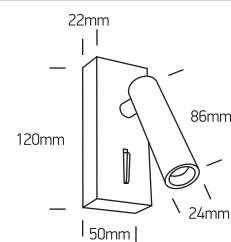
LED  
BUILT IN



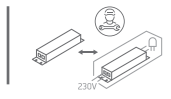
ADJUSTABLE

CE EAC UK CA

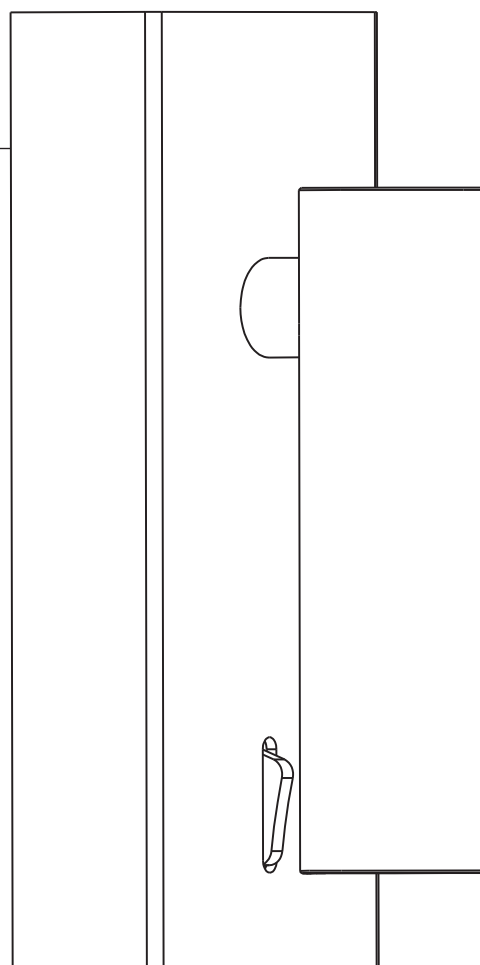
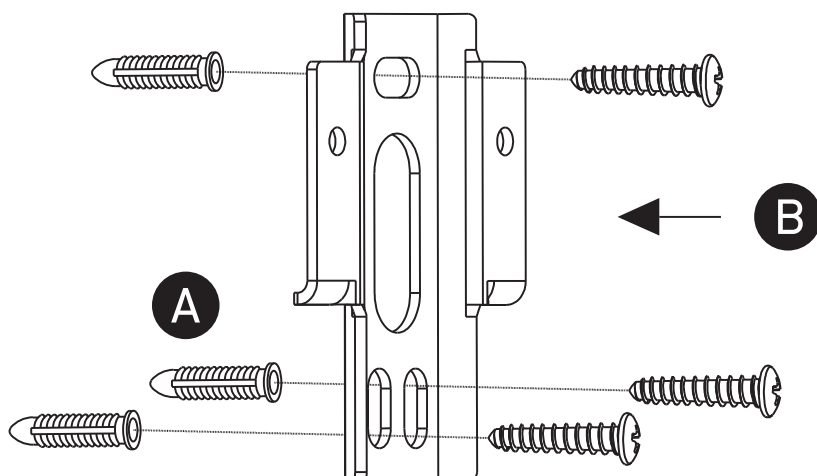
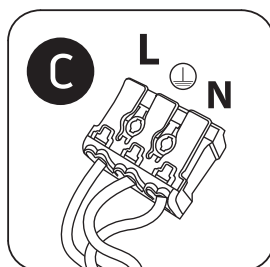
RoHS  
COMPLIANT



230V | LED | 3W | IP20 | Aluminium  
Complete with 700mA driver.



90  
CRI



D

## Warnings:

1. Make sure that the product is installed properly before connecting to electricity.
2. Do not cover the fitting.
3. Maintenance and installation should only be carried out by a professional electrician.