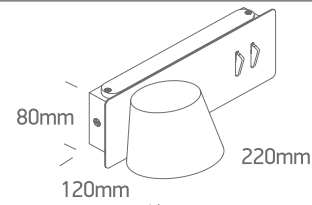


INSTALLATION MANUAL

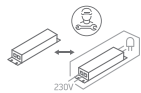
65147

LED BUILT IN |  |  ADJUSTABLE | 80 CRI | CE ENEC UK RoHS RECYCLABLE

230V | 6W+4W Up Light | SMD 2835 | IP20 | Aluminium + acrylic | Left

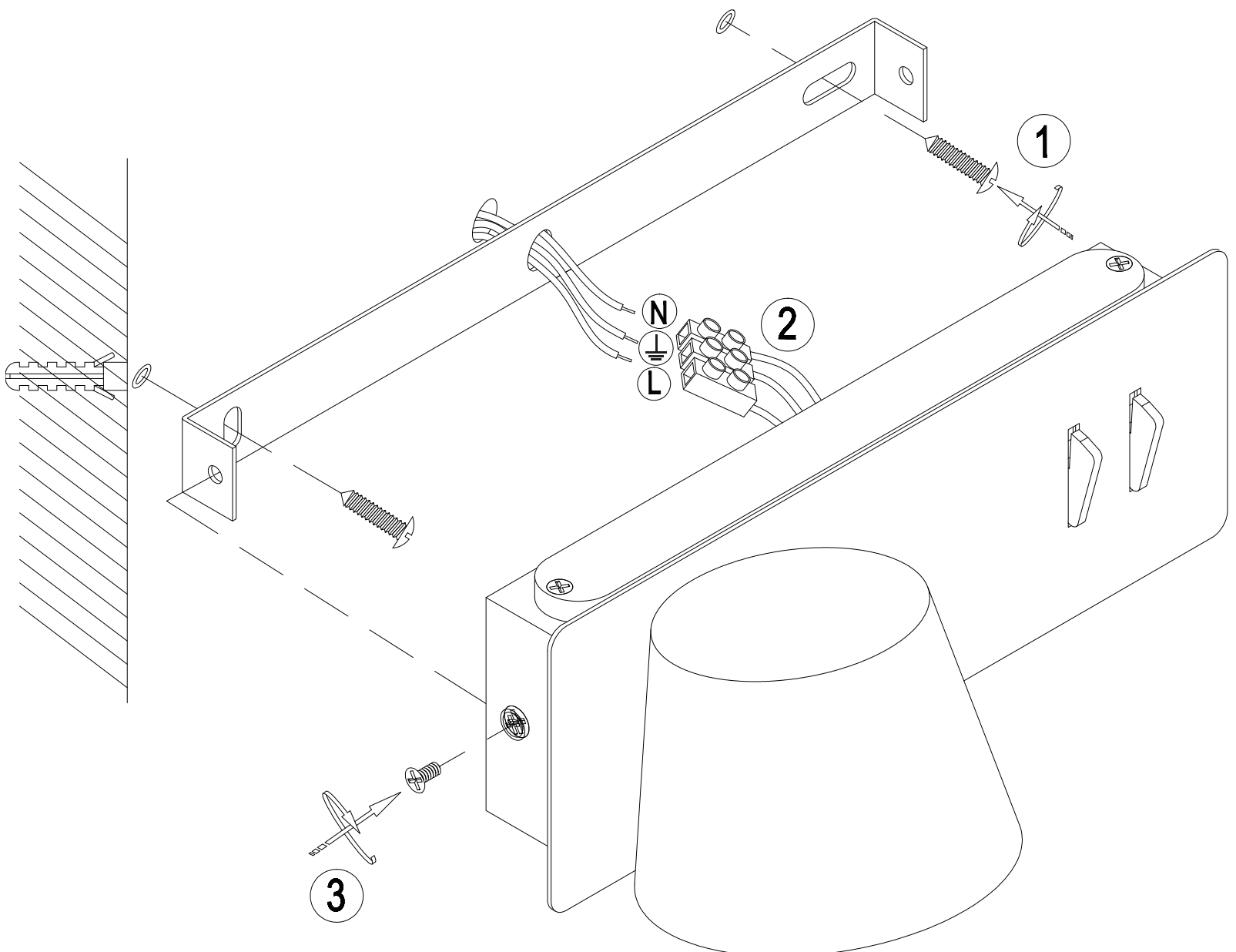


one
LIGHT



L70B50
36000 Hrs

Complete with driver 2x 300mA.
With 2x On/Off switches.



Warnings:

1. Make sure that the product is installed properly before connecting to electricity.
2. Do not cover the fitting.
3. Maintenance and installation should only be carried out by a professional electrician.