

# INSTALLATION MANUAL

65110E

**ecolight**



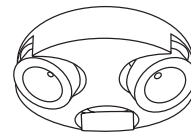
CE

RoHS  
COMPLIANT



NOT  
DIMMABLE

300mm



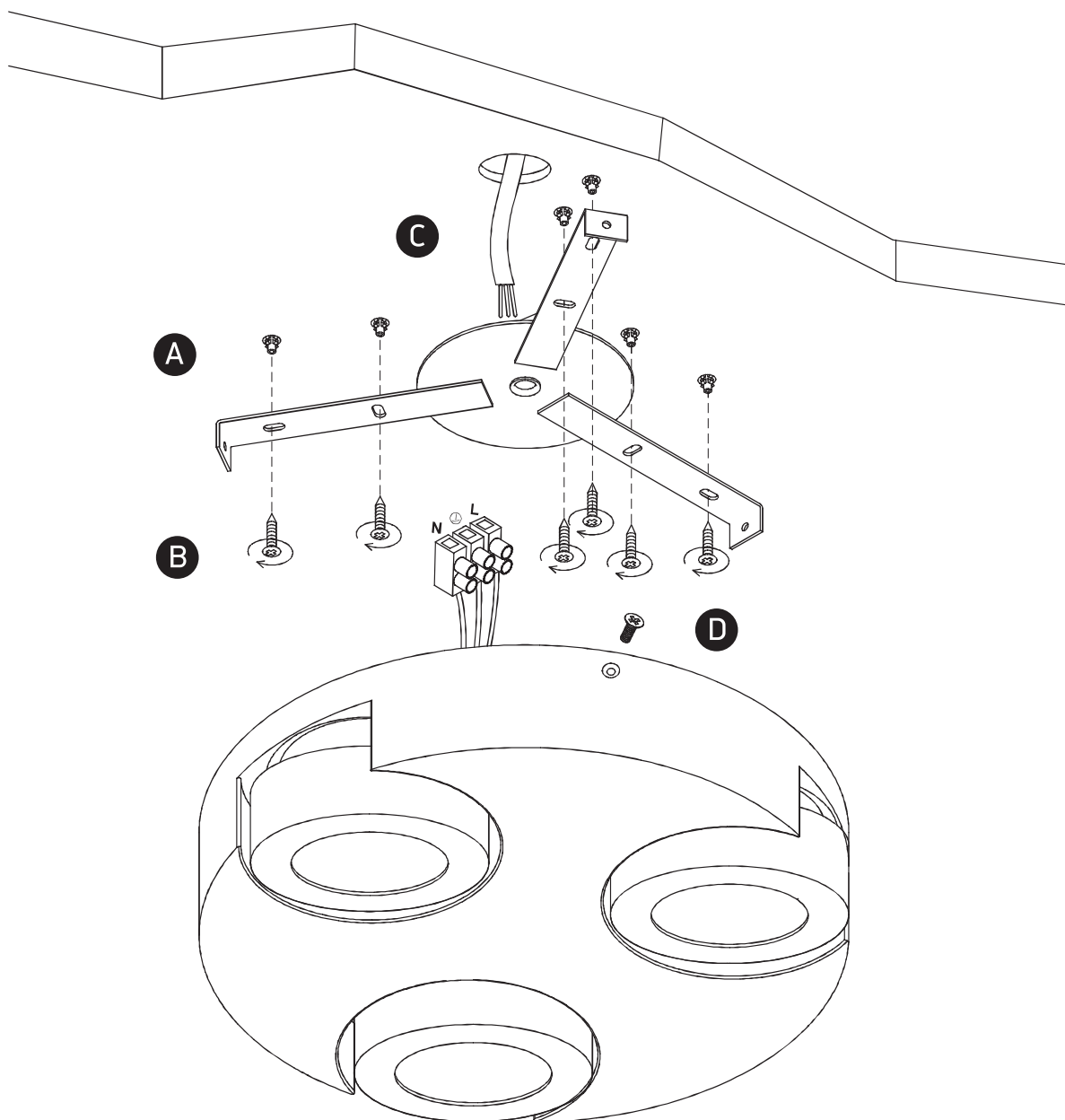
57mm

**one**  
LIGHT

230V | 3x10W | IP20 | Die cast | Adjustable

Complete with driver

80  
CRI



## Warnings:

1. Make sure that the product is installed properly before connecting to electricity.
2. Do not cover the fitting.
3. Maintenance and installation should only be carried out by a professional electrician.