

# INSTALLATION MANUAL

65110B

**ecolight**



ADJUSTABLE

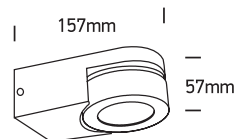


NOT DRINKABLE

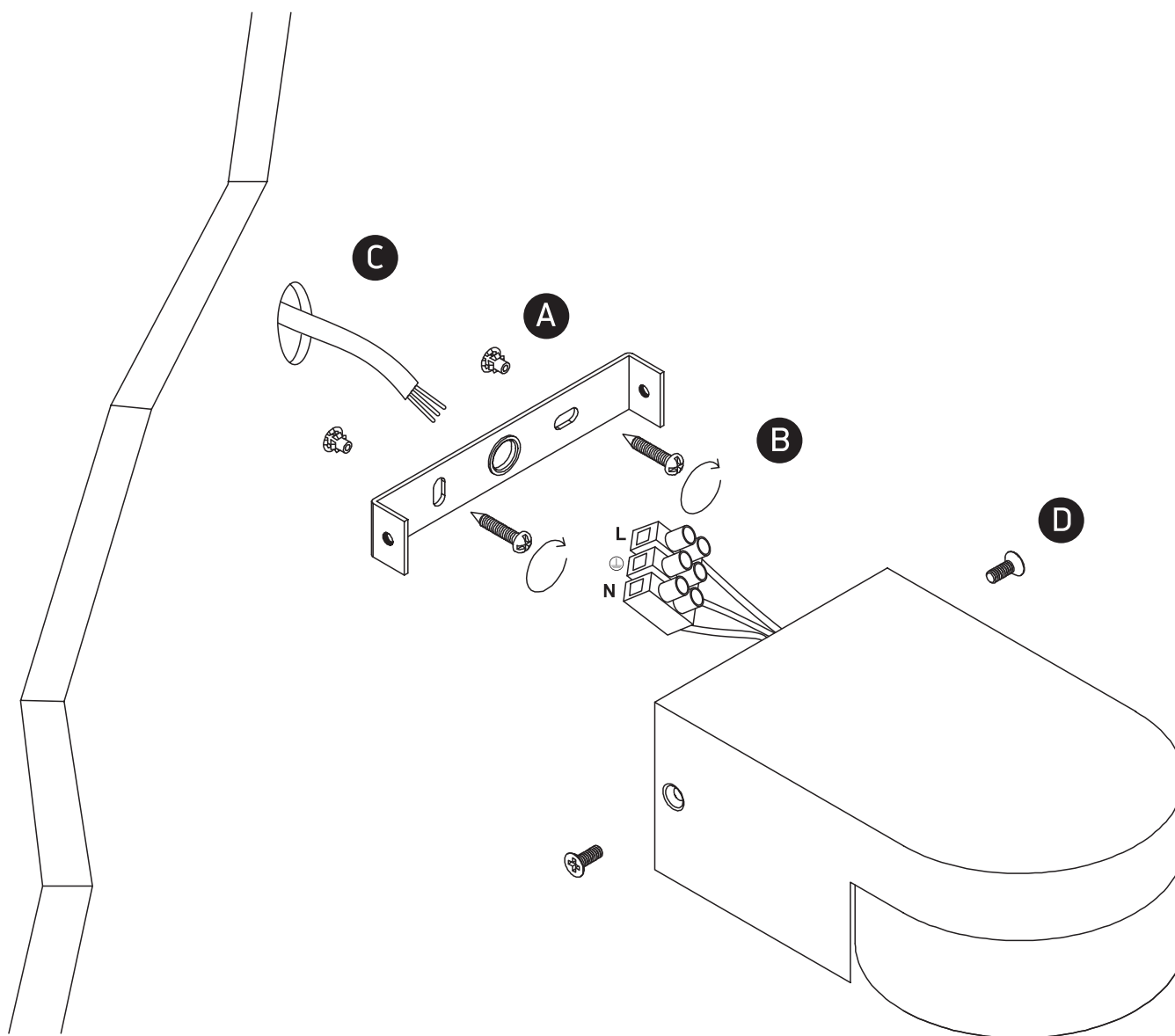
230V | 10W | IP20 | Die cast | Adjustable

Complete with driver

80  
CRI



**one**  
LIGHT



## Warnings:

1. Make sure that the product is installed properly before connecting to electricity.
2. Do not cover the fitting.
3. Maintenance and installation should only be carried out by a professional electrician.