

# INSTALLATION MANUAL

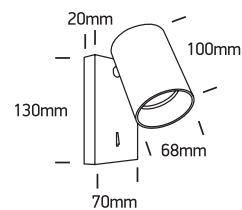
## 65105NA



DARK  
LIGHT



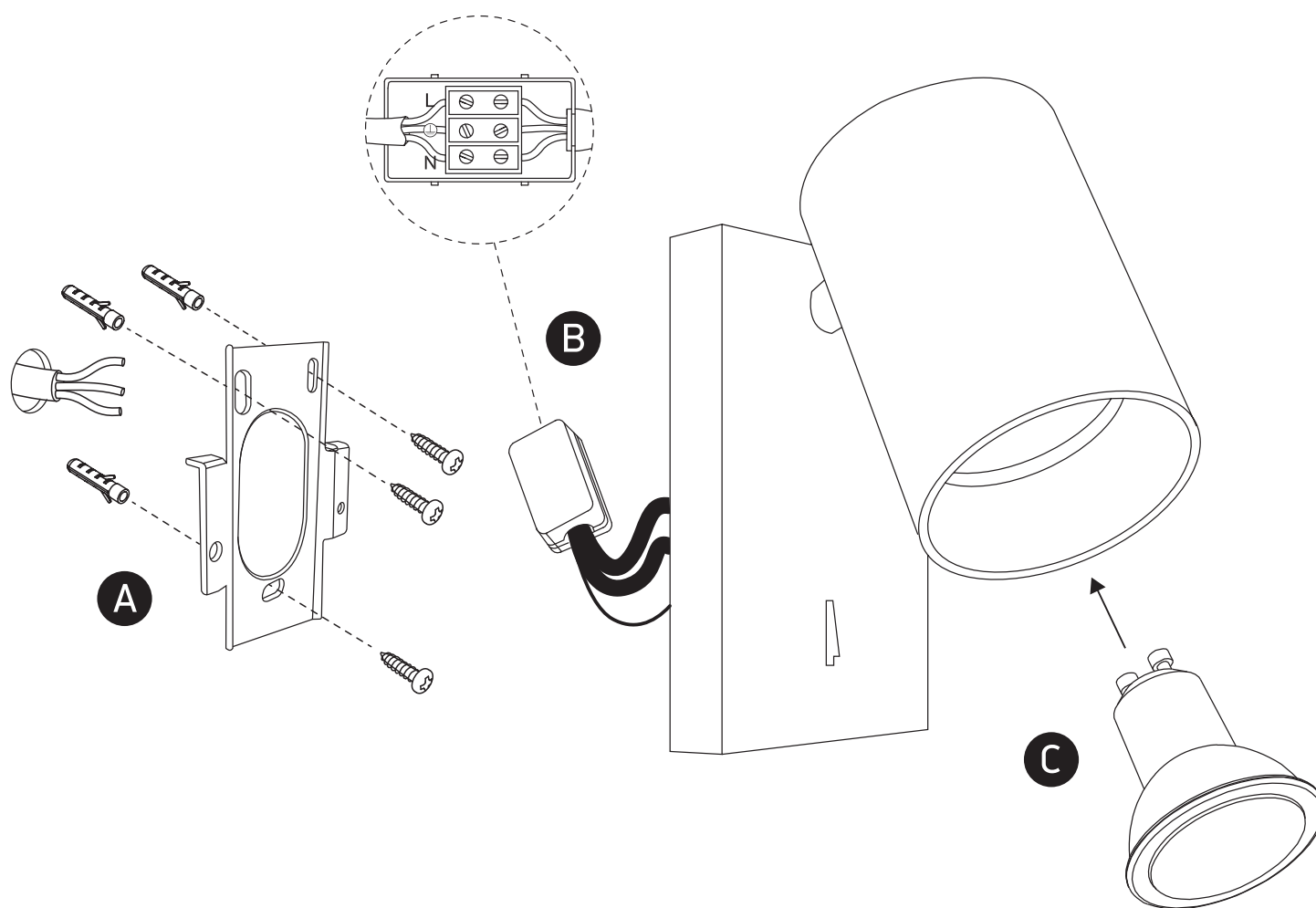
ADJUSTABLE



one  
LIGHT

100-240V | MR16 | GU10 | 10W | IP20 | Aluminium | Adjustable

With switch.



### Warnings:

1. Make sure that the product is installed properly before connecting to electricity.
2. Do not cover the fitting.
3. Maintenance and installation should only be carried out by a professional electrician.