

# INSTALLATION MANUAL

63108A

**ecolight**



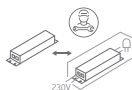
**CE**

**RoHS**  
COMPLIANT

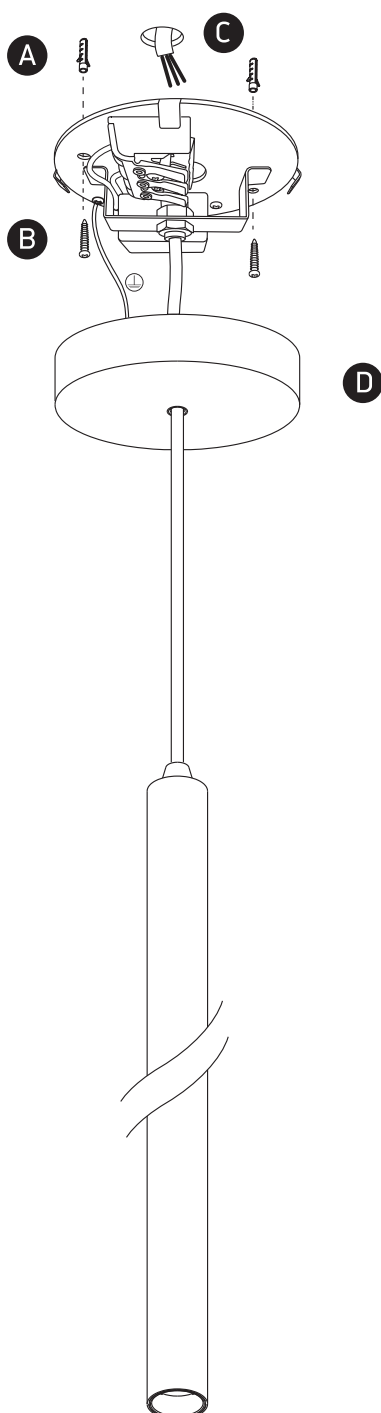
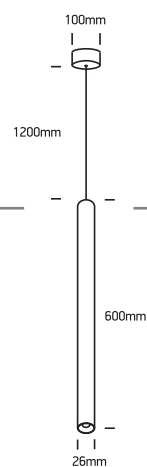


**NOT**  
DIMMABLE

230V | COB LED | 6W | IP20 | Die cast  
Complete with 700mA driver.



**80**  
CRI



## Warnings:

1. Make sure that the product is installed properly before connecting to electricity.
2. Do not cover the fitting.
3. Maintenance and installation should only be carried out by a professional electrician.