

INSTALLATION MANUAL

62148L

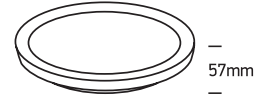
ecolight



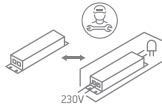
80
CRI



580mm

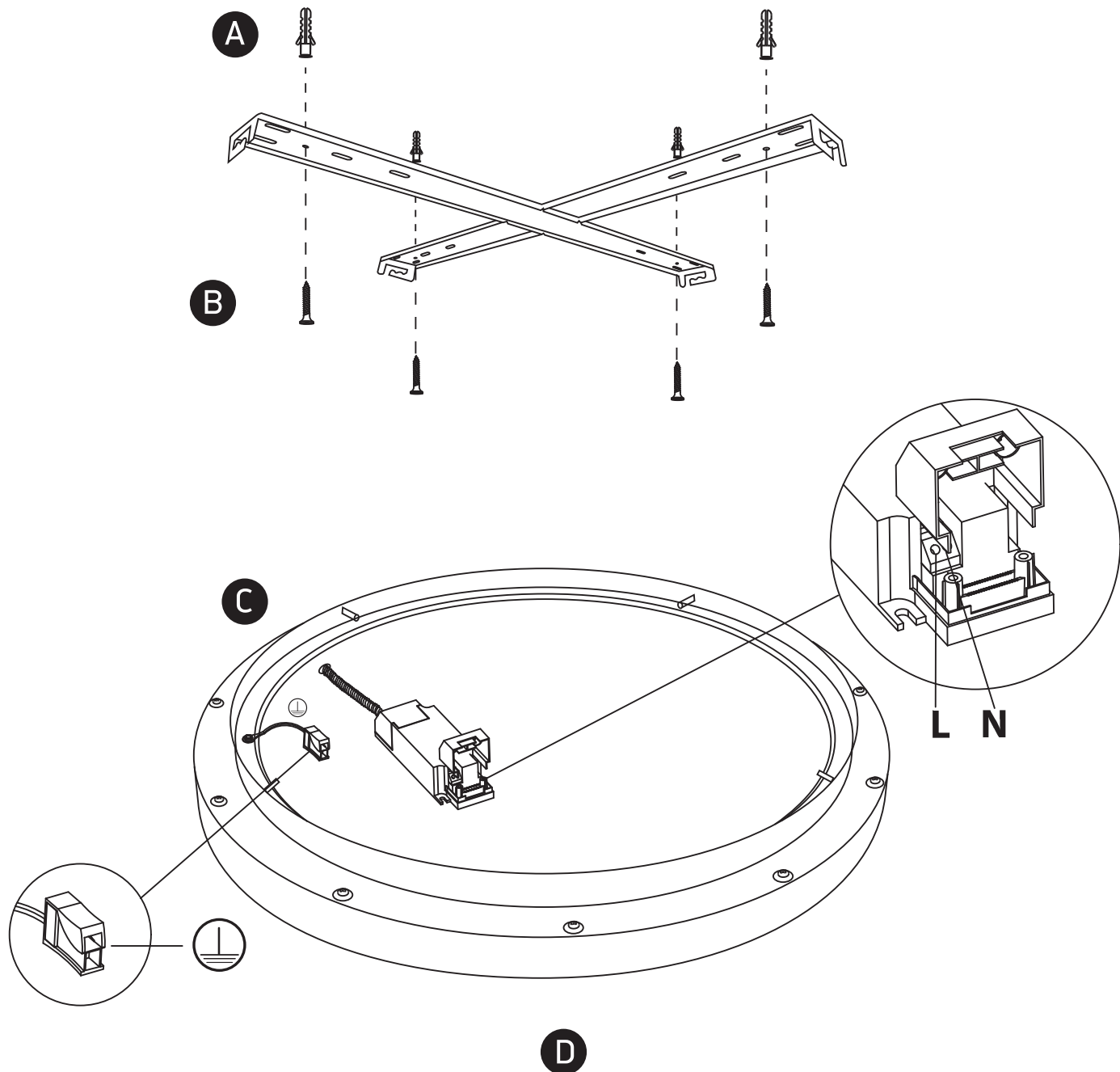


230V | SMD 2835 | 48W | IP20 | Aluminium



Complete with 1200mA driver

one
LIGHT



Warnings:

1. Fix the base on the ceiling.
2. Make sure that the product is installed properly before connecting to electricity.
3. Connect the AC power cable to the driver's cable as shown in the above diagram.
4. Do not cover the fitting.
5. Maintenance and installation should only be carried out by a professional electrician.