

INSTALLATION MANUAL

62148B

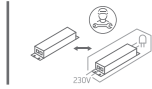
ecolight



600mm

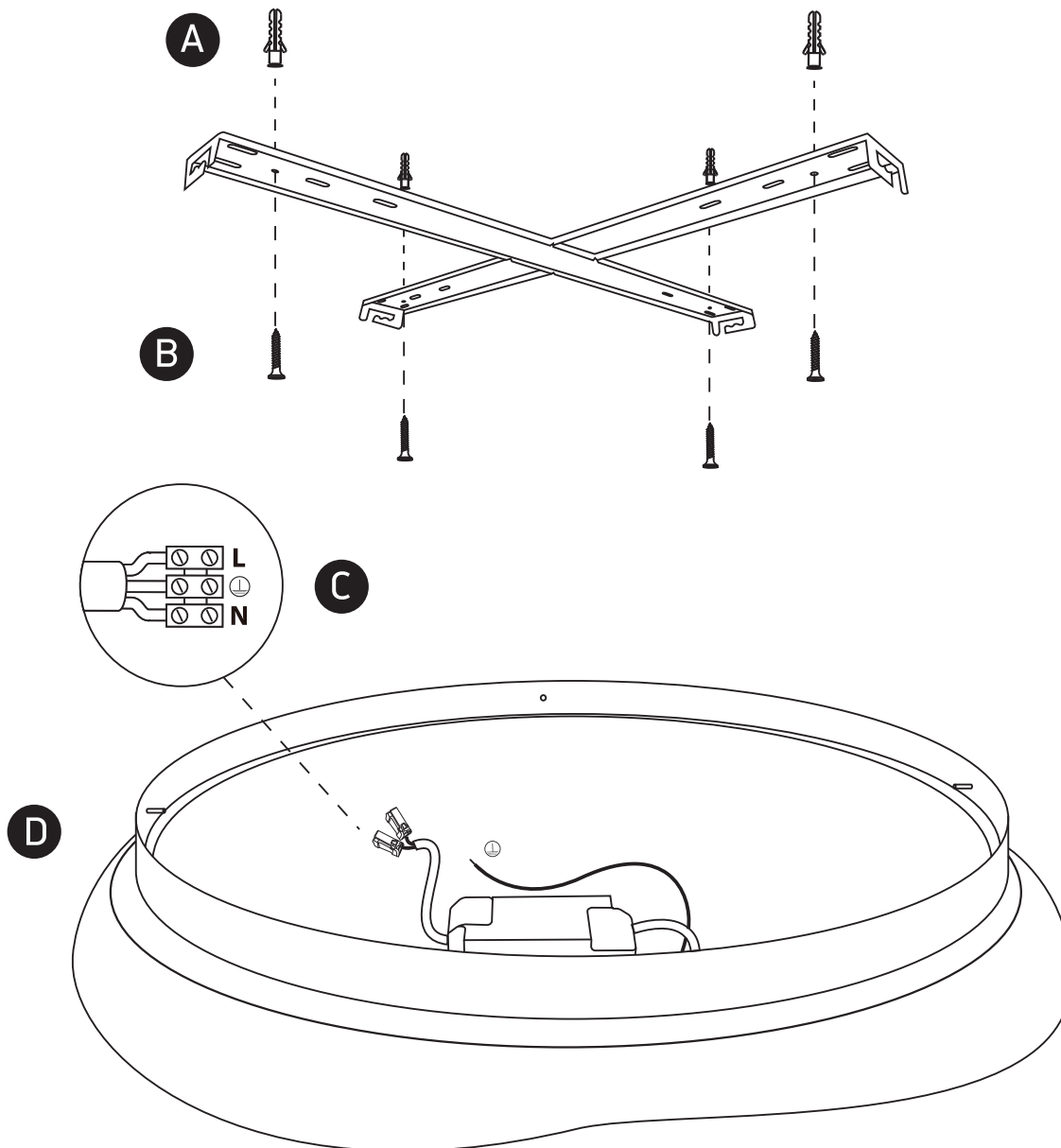


230V | SMD 2835 | 40W | IP20 | Metal base + PC
Complete with 1000mA driver.



80 CRI

one
LIGHT



Warnings:

1. Fix the base on the ceiling.
2. Make sure that the product is installed properly before connecting to electricity.
3. Connect the AC power cable to the driver's cable as shown in the above diagram.
4. Do not cover the fitting.
5. Maintenance and installation should only be carried out by a professional electrician.