

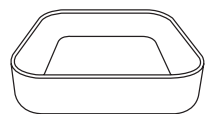
INSTALLATION MANUAL

62142NA

ecolight

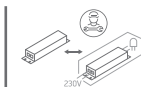


600x600mm



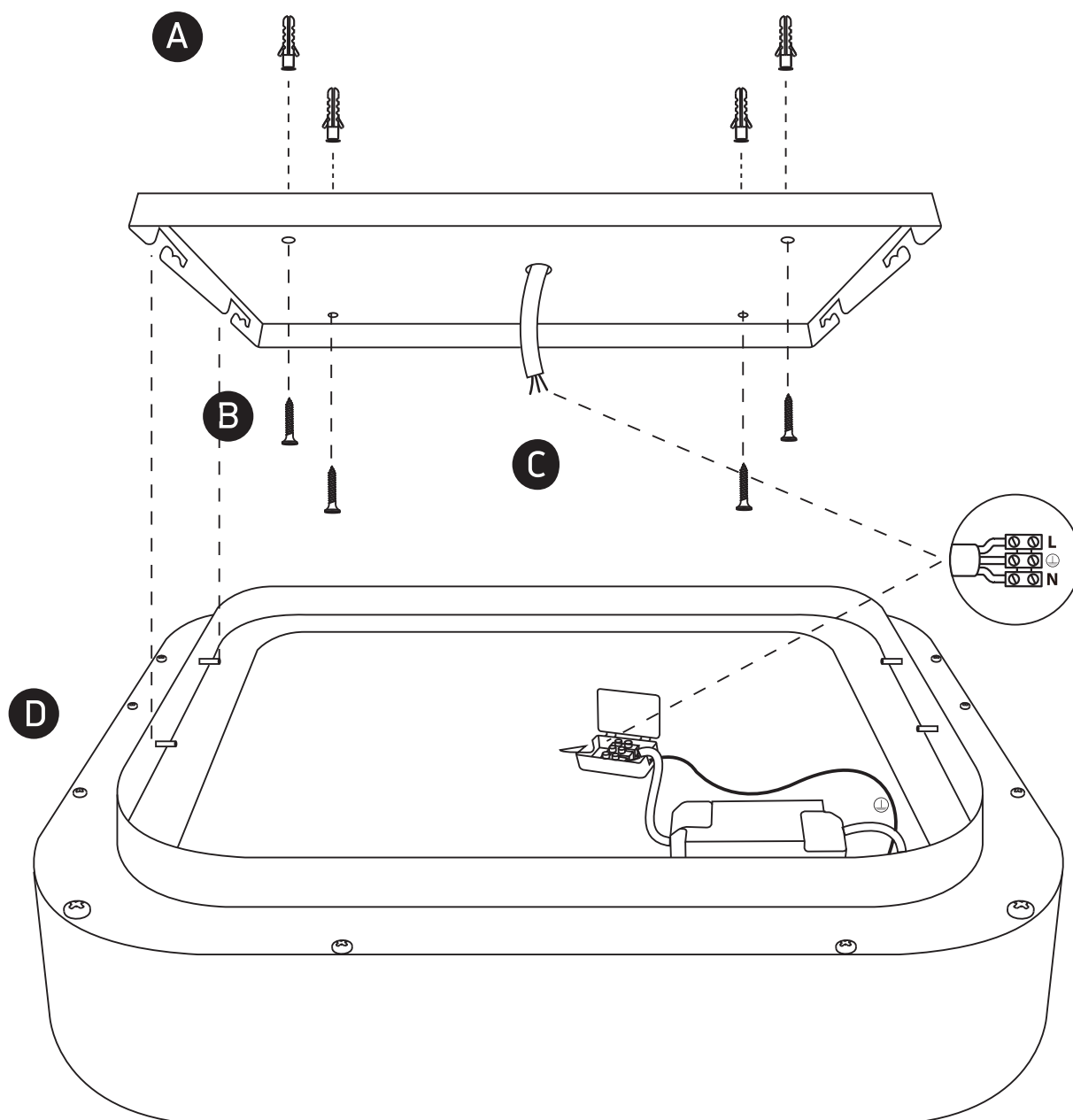
110mm

230V | SMD 2835 | 50W | IP20 | Aluminium
Complete with 1200mA driver



80 CRI

one
LIGHT



Warnings:

1. Fix the base on the ceiling.
2. Make sure that the product is installed properly before connecting to electricity.
3. Connect the AC power cable to the driver's cable as shown in the above diagram.
4. Do not cover the fitting.
5. Maintenance and installation should only be carried out by a professional electrician.